

**Sewage Wastewater Submersible Electric Pumps single, double channel
Impellers, heavy duty, made in cast iron or stainless steel, non-clogging, suitable for
animal breeding plants, tanneries, large drainage and agricultural systems, treatment
plants. - Liqua™**

Applications

Suitable for domestic, residential, industrial, agricultural and civil drainage and wastewater sewage uses: dewatering; sump drainage, effluent and sewage; ponds, construction, mines, reclamation, swimming pools, basements and flooded areas, stormwaters, irrigation, stock breeding, food beverage, for waste, sewage and washwater for single and several households and public buildings, for building sites also partially dry, for continuous and heavy duties for most types of fluids also with bodies in suspension in water treatment plants, brackish waters, dirty waters, sludge, industrial processes, etc.





I-36063 Marostica (Vicenza) Italy
www.valco.eu

**LC-CHANNEL Range VALCO BRAND Sewage Wastewater
Submersible Electric Pumps Liqua™**

Pump and motor construction data
with limits of use and operating conditions

Types		HP	kW	Q= Performance																				In (A) 1x230V	In (A) 3x400V	
1 PH 230V 50Hz	3 PH 400V 50Hz			0	3.6	7.2	10	15	20	30	40	60	80	120	160	200	240	280	320	360	400	440				
		m³/h																								
		l/m.																								
LC1000	-	1	0,75	15,3	10,8	9,8	8,0	6,1	2,3															5,8	-	
-	LC1000T	1	0,75	15,3	10,8	9,8	8,0	6,1	2,3																-	2,0
LC1010	-	1	0,75	11,5	9,1	8,2	6,5	4,9	1,5															7,0	-	
-	LC1010T	1	0,75	11,5	9,1	8,2	6,5	4,9	1,5															-	3,2	
LC1015	-	1	0,75	11,5	9,1	8,2	6,5	4,8	1,5															7,0	-	
-	LC1015T	1	0,75	11,5	9,1	8,2	6,5	4,8	1,5															-	3,2	
LC1505	-	1,5	1,1	17,3	15,2	13,4	12,2	10,5	9,0	4,9														7,0	-	
-	LC1505T	1,5	1,1	17,3	15,2	13,4	12,2	10,5	9,0	4,9														-	3,0	
LC1510	-	1,5	1,1	16,8	14,9	14,2	12,9	11,8	9,8	7,5														12,5	-	
-	LC1510T	1,5	1,1	16,8	14,9	14,2	12,9	11,8	9,8	7,5														-	4,4	
LC1525	-	1,5	1,1	14,4	13,3	12,1	11,1	9,5	7,8	4,5														11,5	-	
-	LC1525T	1,5	1,1	14,4	13,3	12,1	11,1	9,5	7,8	4,5														-	4,5	
LC1530	-	1,5	1,1	14,4	13,3	12,1	11,2	9,5	7,9	4,5														11,5	-	
-	LC1530T	1,5	1,1	14,4	13,3	12,1	11,2	9,5	7,9	4,5														-	4,5	
LC2005	-	2	1,5	19,7	18,1	17,4	16,0	14,8	12,4	10,2	5,2													15,0	-	
-	LC2005T	2	1,5	19,7	18,1	17,4	16,0	14,8	12,4	10,2	5,2													-	5,5	
LC2015	-	2	1,5	18,6	17,0	15,8	14,9	13,4	11,9	8,9	6,3	1,2												11,0	-	
-	LC2015T	2	1,5	18,6	17,0	15,8	14,9	13,4	11,9	8,9	6,3	1,2												-	4,0	
-	LC2025T	2	1,5	15,7	14,7	13,6	12,7	11,3	9,9	6,5	3,1													-	4,8	
-	LC2030T	2	1,5	15,7	14,6	13,6	12,7	11,2	9,8	6,5	3,0													-	4,8	
-	LC2040-4T	2	1,5	12,9	12,2	11,8	11,2	10,4	8,9	7,4	5,0	2,2												-	4,2	
-	LC2045-4T	2	1,5	11,6	10,9	10,3	9,8	9,3	8,3	7,5	5,5	3,0												-	4,2	
-	LC2050-4T	2	1,5	10,9	10,0	9,6	9,3	8,3	7,3	5,3	3,0													-	4,5	
-	LC2057-4T	2	1,5	9,0	8,8	8,5	8,4	8,0	7,7	7,0	6,4	5,0	3,5											-	3,7	
-	LC3000T	3	2,2	24,0	22,2	21,3	20,1	18,6	16,3	14,2	9,0													-	6,9	
-	LC3010T	3	2,2	23,3	21,9	20,0	18,8	16,3	14,3	11,3	9,0	2,0												-	5,3	
-	LC3015T	3	2,2	20,2	18,4	17,2	16,5	15,2	14,3	12,2	10,6	6,3												-	6,9	
-	LC3020T	3	2,2	24,0	22,2	20,6	19,5	17,6	16,0	12,9	10,1	2,8												-	5,2	
-	LC3022T	3	2,2	20,5	18,6	17,5	16,7	15,3	14,1	11,9	10,1	6,1												-	6,9	
-	LC3035-4T	3	2,2	14,1	13,0	12,4	11,5	10,1	8,8	6,0	3,5													-	5,1	
-	LC3040-4T	3	2,2	15,8	14,7	13,6	12,7	11,3	9,9	6,5	3,1													-	6,5	
-	LC3050-4T	3	2,2	12,6	11,2	10,6	10,2	9,2	8,2	6,3	4,3													-	5,2	
-	LC3052-4T	3	2,2	12,4	12,2	12,0	11,8	11,5	11,2	10,6	9,9	8,7	7,4	4,9										-	5,7	
-	LC3057-4T	3	2,2	13,2	13,0	12,7	12,5	12,2	11,9	11,2	10,6	9,2	7,8	4,5										-	5,7	
-	LC3068-4T	3	2,2	11,0	10,7	10,4	10,2	9,9	9,5	8,8	8,1	6,8	5,3	1,8										-	5,7	
-	LC3069-4T	3	2,2	10,8	10,6	10,3	10,1	9,8	9,5	8,9	8,3	7,1	5,9	3,5										-	5,7	
-	LC4005T	4	3	26,3	24,7	23,2	22,1	20,5	19,2	16,5	14,2	9,7	4,9											-	8,1	
-	LC4007T	4	3	26,4	24,8	23,3	22,2	20,5	19,0	16,4	14,2	9,6	4,8											-	8,1	
-	LC4009T	4	3	26,2	25,0	23,9	23,2	21,8	20,6	18,4	16,3	11,8	5,8											-	8,9	
-	LC4015T	4	3	18,3	17,6	17,1	15,8	14,8	13,2	11,5	6,8													-	8,9	
-	LC4020-4T	4	3	15,8	15,0	14,7	14,1	13,6	12,2	10,6	7,8	5,2												-	7,1	
-	LC4022-4T	4	3	15,0	14,7	14,4	14,2	13,8	13,5	12,8	12,1	10,8	9,4	5,6										-	6,6	
-	LC4035-4T	4	3	14,0	14,0	13,3	12,5	11,9	11,0	10,2	7,8	5,8												-	6,5	
-	LC4045-4T	4	3	14,9	14,9	14,9	14,9	14,9	14,9	14,9	14,9	14,9	14,9	14,9	14,9	14,9	14,9	14,9	14,9	14,9	14,9	14,9	14,9	-	8,5	
-	LC4050-4T	4	3	14,0	14,0	13,3	12,5	11,9	11,0	10,0	8,0	5,7	2,3											-	7,1	
-	LC4052-4T	4	3	13,8	13,5	13,3	13,0	12,7	12,3	11,6	11,0	9,7	8,5	6,0	3,3									-	6,6	
-	LC4057-4T	4	3	13,2	13,0	12,7	12,5	12,2	11,9	11,2	10,6	9,2	7,8	4,5										-	6,6	
-	LC500CT	5,5	4	29,3	28,1	26,9	26,1	24,7	23,5	21,2	19,1	14,7	8,4											-	10,2	
-	LC5517-4T	5,5	4	15,3	15,1	14,8	14,6	14,3	14,0	13,3	12,6	11,3	9,9	6,5										-	9,1	
-	LC5520-4T	5,5	4	14,7	14,5	14,3	14,1	13,8	13,5	12,8	12,2	10,9	9,5	6,5	3,2									-	16,3	
-	LC5522-4T	5,5	4	14,9	14,6	14,4	14,2	13,9	13,5	12,9	12,2	11,0	9,7	7,1	4,2									-	9,1	
-	LC6000T	6	4,5	29,6	28,5	27,2	26,2	24,4	23,0	20,4	17,8	12,9	8,1											-	9,5	
-	LC7506-4T	7,5	5,5	18,3	18,0	17,7	17,6	17,2	16,9	16,3	15,7	14,5	13,2	10,2	5,6									-	12,5	
-	LC7508-4T	7,5	5,5	18,1	17,8	17,6	17,4	17,0	16,7	16,0	15,4	14,0	12,7	10,0	7,2									-	12,5	
-	LC7510-4T	7,5	5,5	17,0	16,8	16,5	16,3	16,0	15,7	15,0	14,4	13,0	11,6	8,4	4,6									-	11,8	
-	LC7512-4T	7,5	5,5	16,9	16,7	16,4	16,2	15,9	15,5	14,8	14,1	12,7	11,3	8,5	5,6									-	12,5	
-	LC7513-4T	7,5	5,5	16,5	16,3	16,1	15,9	15,6	15,3	14,7	14,0	12,7	11,3	7,8	3,1									-	12,5	
-	LC80A0-4T	8	6	13,8	13,7	13,5	13,4	13,2	13,0	12,6	12,2	11,4	10,7	9,3	7,9	6,5	5,1	3,5						-	13,5	
-	LC9000-4T	9	6,5	19,4	19,4	19,4	19,4	19,4	19,4	19,4	19,4	19,4	19,4	19,4	19,4	19,4	19,4	19,4	19,4	19,4	19,4	19,4	19,4	-	14,5	
-	LC10A00T	10	7,5	34,2	32,2	31,4	30,1	29,0	27,2	25,4	21,3	17,6	7,4											-	16,3	
-	LC10A18-4T	10	7,5	21,8	21,5	21,3	21,1	20,8	20,5	19,9	19,2	17,8	16,3	12,6										-	16,5	
-	LC10A21-4T	10	7,5	20,4	20,2	20,0	19,8	19,5	19,2	18,6	18,0	16,6	15,2	11,5										-	16,5	
-	LC10A27-4T	10	7,5	20,1	19,9	19,6	19,5	19,2	18,9	18,3	17,6	16,3	15,0	12,1	9,2	6,4								-	16,5	
-	LC10A42-4T	10	7,5	14,4	14,2	14,1	13,9	13,7	13,5	13,1	12,7	11,9	11,1	9,6	8,2	6,8	5,4	3,9	2,5					-	16,5	
-	LC12A05-4T	12	8,8	23,6	23,6	23,6	23,6	23,6	23,6	23,6	23,6	23,6	23,6	23,6	23,6	23,6	23,6	23,6	23,6	23,6	23,6	23,6	23,6	-	18,5	
-	LC12B01-4T	12,5	9,2	24,1	23,9	23,7	23,5	23,2	22,9	22,3	21,7	20,4	19,1													

I-36063 Marostica (Vicenza) Italy
www.valco.eu

**LC -CHANNEL Range VALCO BRAND Sewage Wastewater
Submersible Electric Pumps Liqua™**

Pump and motor construction data
with limits of use and operating conditions

OPERATING CONDITIONS (LIMITS OF USE)

Maximum temperature of pumped liquid °C	0 +35
pH of pumped liquid	6 - 10
Density of pumped liquid with γ =water specific gravity kg/dm ³	1
Installation type	Submerged

MOTOR

Asynchronous Electric motor	
Insulation class	F
Degree of protection IP	68
Service	Continuous duty
Maximum tolerance (fluctuation) from the nominal voltage	±6%
Starts per hour max	30 up to 2,2 kW. 20 up to 4 kW, 10 from 5,5 kW and above.

3phase version the overload motor protection must be provided by the user (we recommend the use of a control box)

1phase version

Built in overload protection and capacitor for types LC1010, LC1015, LC1525 and LC1530.

Built in overload protection and external capacitor in control box for types LC1000, LC1505 and LC2015.

Overload protection and capacitor must be provided by the user (we recommend the use of a control box) for types LC1510 and LC2005

Optional on demand with overprice float switch. For types LC1510 and LC2005 it must be connected in the control box.

I-36063 Marostica (Vicenza) Italy
www.valco.eu

**LC-CHANNEL Range VALCO BRAND Sewage Wastewater
Submersible Electric Pumps Liqua™**

Pump and motor construction data
with limits of use and operating conditions

Types		Pump materials	Impeller material	Impeller type code	Wear plate	Motor chamber	Mechanical seal code	Shaft material (pump side) stainless steel
1 PH 230V 50Hz	3 PH 400V 50Hz							
LC1000	-	Motor casing and pump in cast iron (1)	Cast iron	SC	Cast iron	In oil	KK	DIN/EN 1.4005 (AISI 416)
-	LC1000T	Motor casing and pump in cast iron (1)	Cast iron	SC	Cast iron	In oil	KK	DIN/EN 1.4005 (AISI 416)
LC1010	-	Motor casing and pump in stainless steel	Stainless steel	DC	Stainless steel	In oil	PGA-MR-O	DIN/EN 1.4401 (AISI 316)
-	LC1010T	Motor casing and pump in stainless steel	Stainless steel	DC	Stainless steel	In oil	PGA-MR-O	DIN/EN 1.4401 (AISI 316)
LC1015	-	Motor casing in stainless steel and pump in cast iron	Cast iron	DC	Cast iron	In oil	PGA-MR-O	DIN/EN 1.4401 (AISI 316)
-	LC1015T	Motor casing in stainless steel and pump in cast iron	Cast iron	DC	Cast iron	In oil	PGA-MR-O	DIN/EN 1.4401 (AISI 316)
LC1505	-	Motor casing and pump in cast iron (1)	Cast iron	SC	Cast iron	In oil	KK	DIN/EN 1.4005 (AISI 416)
-	LC1505T	Motor casing and pump in cast iron (1)	Cast iron	SC	Cast iron	In oil	KK	DIN/EN 1.4005 (AISI 416)
LC1510	-	Motor casing and pump in cast iron	Cast iron	SC	Cast iron	In oil	PKK-MGA-O	DIN/EN 1.4301 (AISI 304)
-	LC1510T	Motor casing and pump in cast iron	Cast iron	SC	Cast iron	In oil	PKK-MGA-O	DIN/EN 1.4301 (AISI 304)
LC1525	-	Motor casing and pump in stainless steel	Stainless steel	DC	Stainless steel	In oil	PGA-MR-O	DIN/EN 1.4401 (AISI 316)
-	LC1525T	Motor casing and pump in stainless steel	Stainless steel	DC	Stainless steel	In oil	PGA-MR-O	DIN/EN 1.4401 (AISI 316)
LC1530	-	Motor casing in stainless steel and pump in cast iron	Cast iron	DC	Cast iron	In oil	PGA-MR-O	DIN/EN 1.4401 (AISI 316)
-	LC1530T	Motor casing in stainless steel and pump in cast iron	Cast iron	DC	Cast iron	In oil	PGA-MR-O	DIN/EN 1.4401 (AISI 316)
LC2005	-	Motor casing and pump in cast iron	Cast iron	SC	Cast iron	In oil	PKK-MGA-O	DIN/EN 1.4301 (AISI 304)
-	LC2005T	Motor casing and pump in cast iron	Cast iron	SC	Cast iron	In oil	PKK-MGA-O	DIN/EN 1.4301 (AISI 304)
LC2015	-	Motor casing and pump in cast iron (1)	Cast iron	SC	Cast iron	In oil	KK	DIN/EN 1.4005 (AISI 416)
-	LC2015T	Motor casing and pump in cast iron (1)	Cast iron	SC	Cast iron	In oil	KK	DIN/EN 1.4005 (AISI 416)
-	LC2025T	Motor casing in stainless steel and pump in cast iron	Cast iron	DC	Cast iron	In oil	PGA-MR-O	DIN/EN 1.4401 (AISI 316)
-	LC2030T	Motor casing and pump in stainless steel	Stainless steel	DC	Stainless steel	In oil	PGA-MR-O	DIN/EN 1.4401 (AISI 316)
-	LC2040-4T	Motor casing and pump in cast iron	Cast iron	SA	Cast iron	In oil	PKK-MGA-O	DIN/EN 1.4021 (AISI 420)
-	LC2045-4T	Motor casing and pump in cast iron	Cast iron	SA	Cast iron	In oil	PKK-MGA-O	DIN/EN 1.4021 (AISI 420)
-	LC2050-4T	Motor casing and pump in cast iron	Cast iron	SA	Cast iron	In oil	PKK-MGA-O	DIN/EN 1.4301 (AISI 304)
-	LC2057-4T	Motor casing and pump in cast iron	Cast iron	DA(2)	Cast iron	Dry	PKK-MGA-O	DIN/EN 1.4021 (AISI 420)
-	LC3000T	Motor casing and pump in cast iron	Cast iron	SC	Cast iron	In oil	PKK-MGA-O	DIN/EN 1.4301 (AISI 304)
-	LC3010T	Motor casing and pump in cast iron	Cast iron	SC	Cast iron	In oil	PKK-MGA-O	DIN/EN 1.4021 (AISI 420)
-	LC3015T	Motor casing in stainless steel and pump in cast iron	Cast iron	SC	Cast iron	In oil	PKA-MGA-O	DIN/EN 1.4401 (AISI 316)
-	LC3020T	Motor casing and pump in cast iron	Cast iron	SC	Cast iron	In oil	PKK-MR-O	DIN/EN 1.4021 (AISI 420)
-	LC3022T	Motor casing and pump in stainless steel	Stainless steel	SA	Stainless steel	In oil	PKA-MGA-O	DIN/EN 1.4401 (AISI 316)
-	LC3035-4T	Motor casing and pump in cast iron	Cast iron	SA	Cast iron	In oil	PKK-MGA-O	DIN/EN 1.4021 (AISI 420)
-	LC3040-4T	Motor casing and pump in cast iron	Cast iron	SC	Cast iron	Dry	PKK-MR-O	DIN/EN 1.4021 (AISI 420)
-	LC3050-4T	Motor casing and pump in cast iron	Cast iron	SA	Cast iron	In oil	PKK-MGA-O	DIN/EN 1.4301 (AISI 304)
-	LC3052-4T	Motor casing and pump in cast iron	Cast iron	DA(2)	Cast iron	Dry	PKK-MGA-O	DIN/EN 1.4021 (AISI 420)
-	LC3057-4T	Motor casing and pump in cast iron	Cast iron	DA(2)	Cast iron	Dry	PKK-MGA-O	DIN/EN 1.4021 (AISI 420)
-	LC3068-4T	Motor casing and pump in cast iron	Cast iron	DA(2)	Cast iron	Dry	PKK-MGA-O	DIN/EN 1.4021 (AISI 420)
-	LC3069-4T	Motor casing and pump in cast iron	Cast iron	DA(2)	Cast iron	Dry	PKK-MGA-O	DIN/EN 1.4021 (AISI 420)
-	LC4005T	Motor casing in stainless steel and pump in cast iron	Cast iron	SC	Cast iron	In oil	PKA-MGA-O	DIN/EN 1.4401 (AISI 316)
-	LC4007T	Motor casing and pump in stainless steel	Stainless steel	SA	Stainless steel	In oil	PKA-MGA-O	DIN/EN 1.4401 (AISI 316)
-	LC4009T	Motor casing and pump in cast iron	Cast iron	SC	Cast iron	In oil	PKK-MGA-O	DIN/EN 1.4301 (AISI 304)
-	LC4015T	Motor casing and pump in cast iron	Cast iron	SA	Cast iron	In oil	PKK-MGA-O	DIN/EN 1.4021 (AISI 420)
-	LC4020-4T	Motor casing and pump in cast iron	Cast iron	SA	Cast iron	In oil	PKK-MGA-O	DIN/EN 1.4021 (AISI 420)
-	LC4022-4T	Motor casing and pump in cast iron	Cast iron	DA(2)	Cast iron	Dry	PKK-MGA-O	DIN/EN 1.4021 (AISI 420)
-	LC4035-4T	Motor casing and pump in cast iron	Cast iron	SA	Cast iron	In oil	PKK-MGA-O	DIN/EN 1.4301 (AISI 304)
-	LC4045-4T	Motor casing and pump in cast iron	Cast iron	SC	Cast iron	Dry	PKK-MR-O	DIN/EN 1.4021 (AISI 420)
-	LC4050-4T	Motor casing and pump in cast iron	Cast iron	SA	Cast iron	In oil	PKK-MGA-O	DIN/EN 1.4021 (AISI 420)
-	LC4052-4T	Motor casing and pump in cast iron	Cast iron	DA(2)	Cast iron	Dry	PKK-MGA-O	DIN/EN 1.4021 (AISI 420)
-	LC4057-4T	Motor casing and pump in cast iron	Cast iron	DA(2)	Cast iron	Dry	PKK-MGA-O	DIN/EN 1.4021 (AISI 420)
-	LC500CT	Motor casing and pump in cast iron	Cast iron	SC	Cast iron	In oil	PKK-MGA-O	DIN/EN 1.4301 (AISI 304)
-	LC5517-4T	Motor casing and pump in cast iron	Cast iron	DA(2)	Cast iron	Dry	PKK-MGA-O	DIN/EN 1.4021 (AISI 420)
-	LC5520-4T	Motor casing and pump in cast iron	Cast iron	SA	Cast iron	In oil	PKK-MGA-O	DIN/EN 1.4301 (AISI 304)
-	LC5522-4T	Motor casing and pump in cast iron	Cast iron	DA(2)	Cast iron	Dry	PKK-MGA-O	DIN/EN 1.4021 (AISI 420)
-	LC6000T	Motor casing in stainless steel and pump in cast iron	Cast iron	SC	Cast iron	In oil	PKA-MGA-O	DIN/EN 1.4401 (AISI 316)
-	LC7506-4T	Motor casing and pump in cast iron	Cast iron	DA(2)	Cast iron	Dry	PKK-MGA-O	DIN/EN 1.4021 (AISI 420)
-	LC7508-4T	Motor casing and pump in cast iron	Cast iron	DA(2)	Cast iron	Dry	PKK-MGA-O	DIN/EN 1.4021 (AISI 420)
-	LC7510-4T	Motor casing and pump in cast iron	Cast iron	SA	Cast iron	In oil	PKK-MGA-O	DIN/EN 1.4301 (AISI 304)
-	LC7512-4T	Motor casing and pump in cast iron	Cast iron	DA(2)	Cast iron	Dry	PKK-MGA-O	DIN/EN 1.4021 (AISI 420)
-	LC7513-4T	Motor casing and pump in cast iron	Cast iron	DA(2)	Cast iron	Dry	PKK-MGA-O	DIN/EN 1.4021 (AISI 420)
-	LC80A0-4T	Motor casing and pump in cast iron	Cast iron	DA(2)	Cast iron	Dry	PKK-MGA-O	DIN/EN 1.4021 (AISI 420)
-	LC9000-4T	Motor casing and pump in cast iron	Cast iron	SC	Cast iron	Dry	PKA-MGA-O	DIN/EN 1.4021 (AISI 420)
-	LC10A00T	Motor casing and pump in cast iron	Cast iron	SA	Cast iron	In oil	PKK-MGA-O	DIN/EN 1.4301 (AISI 304)
-	LC10A18-4T	Motor casing and pump in cast iron	Cast iron	DA(2)	Cast iron	Dry	PKK-MGA-O	DIN/EN 1.4021 (AISI 420)
-	LC10A21-4T	Motor casing and pump in cast iron	Cast iron	DA(2)	Cast iron	Dry	PKK-MGA-O	DIN/EN 1.4021 (AISI 420)
-	LC10A27-4T	Motor casing and pump in cast iron	Cast iron	DA(2)	Cast iron	Dry	PKK-MGA-O	DIN/EN 1.4021 (AISI 420)
-	LC10A42-4T	Motor casing and pump in cast iron	Cast iron	DA(2)	Cast iron	Dry	PKK-MGA-O	DIN/EN 1.4021 (AISI 420)
-	LC12A05-4T	Motor casing and pump in cast iron	Cast iron	SC	Cast iron	Dry	PKA-MGA-O	DIN/EN 1.4021 (AISI 420)
-	LC12B01-4T	Motor casing and pump in cast iron	Cast iron	DA(2)	Cast iron	Dry	PKK-MGA-O	DIN/EN 1.4021 (AISI 420)
-	LC12B02-4T	Motor casing and pump in cast iron	Cast iron	DA(2)	Cast iron	Dry	PKK-MGA-O	DIN/EN 1.4021 (AISI 420)
-	LC12B03-4T	Motor casing and pump in cast iron	Cast iron	DA(2)	Cast iron	Dry	PKK-MGA-O	DIN/EN 1.4021 (AISI 420)
-	LC12B04-4T	Motor casing and pump in cast iron	Cast iron	DA(2)	Cast iron	Dry	PKK-MGA-O	DIN/EN 1.4021 (AISI 420)
-	LC12B06-4T	Motor casing and pump in cast iron	Cast iron	DA(2)	Cast iron	Dry	PKK-MGA-O	DIN/EN 1.4021 (AISI 420)
-	LC15A15-4T	Motor casing and pump in cast iron	Cast iron	SC	Cast iron	Dry	PKA-MGA-O	DIN/EN 1.4021 (AISI 420)
-	LC15A1A-4T	Motor casing and pump in cast iron	Cast iron	DA(2)	Cast iron	Dry	PKK-MGA-O	DIN/EN 1.4021 (AISI 420)
-	LC15A16-4T	Motor casing and pump in cast iron	Cast iron	DA(2)	Cast iron	Dry	PKK-MGA-O	DIN/EN 1.4021 (AISI 420)
-	LC15A17-4T	Motor casing and pump in cast iron	Cast iron	DA(2)	Cast iron	Dry	PKK-MGA-O	DIN/EN 1.4021 (AISI 420)
-	LC15A27-4T	Motor casing and pump in cast iron	Cast iron	DA(2)	Cast iron	Dry	PKK-MGA-O	DIN/EN 1.4021 (AISI 420)
-	LC18A05-4T	Motor casing and pump in cast iron	Cast iron	DA(2)	Cast iron	Dry	PKK-MGA-O	DIN/EN 1.4021 (AISI 420)
-	LC20A01-4T	Motor casing and pump in cast iron	Cast iron	DA(2)	Cast iron	Dry	PKK-MGA-O	DIN/EN 1.4021 (AISI 420)
-	LC20A11-4T	Motor casing and pump in cast iron	Cast iron	DA(2)	Cast iron	Dry	PKK-MGA-O	DIN/EN 1.4021 (AISI 420)
-	LC20A12-4T	Motor casing and pump in cast iron	Cast iron	DA(2)	Cast iron	Dry	PKK-MGA-O	DIN/EN 1.4021 (AISI 420)
-	LC25A12-4T	Motor casing and pump in cast iron	Cast iron	DA(2)	Cast iron	Dry	PKK-MGA-O	DIN/EN 1.4021 (AISI 420)
-	LC25A13-4T	Motor casing and pump in cast iron	Cast iron	DA(2)	Cast iron	Dry	PKK-MGA-O	DIN/EN 1.4021 (AISI 420)
-	LC30A07-4T	Motor casing and pump in cast iron	Cast iron	DA(2)	Cast iron	Dry	PKK-MGA-O	DIN/EN 1.4021 (AISI 420)
-	LC30A09-4T	Motor casing and pump in cast iron	Cast iron	DA(2)	Cast iron	Dry	PKK-MGA-O	DIN/EN 1.4021 (AISI 420)
-	LC40AAA-4T	Motor casing and pump in cast iron	Cast iron	DA(2)	Cast iron	Dry	PKK-MGA-O	DIN/EN 1.4021 (AISI 420)
-	LC40AAB-4T	Motor casing and pump in cast iron	Cast iron	DA(2)	Cast iron	Dry	PKK-MGA-O	DIN/EN 1.4021 (AISI 420)
-	LC40AAC-4T	Motor casing and pump in cast iron	Cast iron	DA(2)	Cast iron	Dry	PKK-MGA-O	DIN/EN 1.4021 (AISI 420)
-	LC50A00-4T	Motor casing and pump in cast iron	Cast iron	DA(2)	Cast iron	Dry	PKK-MGA-O	DIN/EN 1.4021 (AISI 420)
-	LC50A02-4T	Motor casing and pump in cast iron	Cast iron	DA(2)	Cast iron	Dry	PKK-MGA-O	DIN/EN 1.4021 (AISI 420)
-	LC50A05-4T	Motor casing and pump in cast iron	Cast iron	DA(2)	Cast iron	Dry	PKK-MGA-O	DIN/EN 1.4021 (AISI 420)
-	LC50A10-4T	Motor casing and pump in cast iron	Cast iron	DA(2)	Cast iron	Dry	PKK-MGA-O	DIN/EN 1.4021 (AISI 420)

Impeller type code:

SC: Single channel closed
SA: Single channel open
DC: Double channel closed
DA: Double channel open

Mechanical seal code:

P: Pump side M: Motor Side
A: Ceramic G: Carbon graphite
K: Silicon carbide R: Seal Ring
O: In oil chamber

Horizontal delivery

(1)= Flanged D.50 not DIN/EN in line + 2" bend
(2)= Optional on demand with over price with cutting
diffuser and hardened cast iron impeller

rtc_LC-Channel_Valco_dirty_waters_submersible_pumps-Liqua

01/07/2019

I-36063 Marostica (Vicenza) Italy
www.valco.eu

**LC-CHANNEL Range VALCO BRAND Sewage Wastewater
Submersible Electric Pumps Liqua™**

Pump and motor construction data
with limits of use and operating conditions

Types		DNm	Poles	Ø max solids in susp. Free passage (mm)	max immersion depth (m)	Cable length (m) H07RN-F	Weight in Kg	Electric pump dimensions in mm LxWxH
1 PH 230V 50Hz	3 PH 400V 50Hz							
LC1000	-	2"	2	40	20	10	30	344x213x463
-	LC1000T	2"	2	40	20	10	30	344x213x463
LC1010	-	2"	2	50	5	10	12,5	214x180x369
-	LC1010T	2"	2	50	5	10	12,5	214x180x369
LC1015	-	2"	2	50	5	10	14	232x150x367
-	LC1015T	2"	2	50	5	10	14	232x150x367
LC1505	-	2"	2	40	20	10	30	344x213x463
-	LC1505T	2"	2	40	20	10	30	344x213x463
LC1510	-	65	2	50	20	10	42	308x200x551
-	LC1510T	65	2	50	20	10	42,5	308x200x551
LC1525	-	2"	2	50	5	10	14,5	214x180x409
-	LC1525T	2"	2	50	5	10	14,5	214x180x409
LC1530	-	2"	2	50	5	10	16	232x150x407
-	LC1530T	2"	2	50	5	10	16	232x150x407
LC2005	-	65	2	50	20	10	43,5	308x200x551
-	LC2005T	65	2	50	20	10	43,5	308x200x551
LC2015	-	2"	2	50	20	10	34	360x235x490
-	LC2015T	2"	2	50	20	10	34	360x235x490
-	LC2025T	2"	2	50	5	10	16	232x150x407
-	LC2030T	2"	2	50	5	10	14,5	214x180x409
-	LC2040-4T	80	4	75	20	10	64	394x310x650
-	LC2045-4T	100	4	85	20	10	66	394x310x650
-	LC2050-4T	100	4	60	20	10	68,5	395x317x660
-	LC2057-4T	80	4	NA	20	10	73	400x370x621
-	LC3000T	65	2	50	20	10	43,5	308x200x551
-	LC3010T	65	2	40	20	10	43	290x190x520
-	LC3015T	80	2	50	5	10	53	390x128x647
-	LC3020T	65	2	50	20	10	50	349x290x555
-	LC3022T	80	2	50	5	10	28	390x279x285
-	LC3035-4T	80	4	75	20	10	65	394x310x650
-	LC3040-4T	80	4	75	20	10	73	364x315x604
-	LC3050-4T	100	4	60	20	10	75	395x317x660
-	LC3052-4T	100	4	NA	20	10	72	425x370x632
-	LC3057-4T	80	4	NA	20	10	77	400x370x621
-	LC3068-4T	80	4	NA	20	10	77	400x370x621
-	LC3069-4T	100	4	NA	20	10	72	425x370x632
-	LC4005T	80	2	50	5	10	54	390x128x647
-	LC4007T	80	2	50	5	10	33	390x279x285
-	LC4009T	80	2	50	20	10	70	370x620x645
-	LC4015T	80	2	45	20	10	64	305x227x595
-	LC4020-4T	80	4	75	20	10	68	394x310x650
-	LC4022-4T	80	4	NA	20	10	80	400x370x621
-	LC4035-4T	100	4	60	20	10	77	395x317x660
-	LC4045-4T	80	4	75	20	10	86	412x315x668
-	LC4050-4T	100	4	85	20	10	70	394x310x650
-	LC4052-4T	100	4	NA	20	10	78	425x370x632
-	LC4057-4T	80	4	NA	20	10	80	400x370x621
-	LC550CT	80	2	50	20	10	72,5	370x620x645
-	LC5517-4T	80	4	NA	20	10	88	400x370x648
-	LC5520-4T	100	4	90	20	10	107	456x371x745
-	LC5522-4T	100	4	NA	20	10	86	425x370x659
-	LC6000T	80	2	50	5	10	55	390x128x647
-	LC7506-4T	80	4	NA	20	10	115	400x370x716
-	LC7508-4T	100	4	NA	20	10	105	425x370x727
-	LC7510-4T	100	4	90	20	10	108,5	456x371x745
-	LC7512-4T	100	4	NA	20	10	105	425x370x727
-	LC7513-4T	80	4	NA	20	10	115	400x370x716
-	LC80A0-4T	150	4	NA	20	10	150	565x550x803
-	LC9000-4T	150	4	100	20	10	156	532x467x1050
-	LC10A00T	80	2	50	20	10	94	412x240x725
-	LC10A18-4T	80	4	NA	20	10	152	480x410x745
-	LC10A21-4T	80	4	NA	20	10	152	480x410x745
-	LC10A27-4T	100	4	NA	20	10	165	479x408x755
-	LC10A42-4T	150	4	NA	20	10	180	565x550x865
-	LC12A05-4T	150	4	100	20	10	163	532x467x1050
-	LC12B01-4T	80	4	NA	20	10	160	480x410x745
-	LC12B02-4T	100	4	NA	20	10	174	479x408x755
-	LC12B03-4T	80	4	NA	20	10	160	480x410x745
-	LC12B04-4T	100	4	NA	20	10	174	479x408x755
-	LC12B06-4T	150	4	NA	20	10	183	565x550x865
-	LC15A15-4T	150	4	100	20	10	174	532x467x1050
-	LC15A1A-4T	80	4	NA	20	10	165	480x410x745
-	LC15A16-4T	80	4	NA	20	10	165	480x410x745
-	LC15A17-4T	100	4	NA	20	10	180	479x408x755
-	LC15A27-4T	150	4	NA	20	10	185	565x550x865
-	LC18A05-4T	100	4	NA	20	10	180	479x408x755
-	LC20A01-4T	80	4	NA	20	10	205	480x410x931
-	LC20A11-4T	150	4	NA	20	10	230	565x550x1022
-	LC20A12-4T	150	4	NA	20	10	230	565x550x1022
-	LC25A12-4T	150	4	NA	20	10	250	565x550x1022
-	LC25A13-4T	150	4	NA	20	10	250	565x550x1022
-	LC30A07-4T	150	4	NA	20	10	375	565x550x1072
-	LC30A09-4T	150	4	NA	20	10	535	760x720x1300
-	LC40AAA-4T	150	4	NA	20	10	535	760x720x1300
-	LC40AAB-4T	150	4	NA	20	10	535	760x720x1300
-	LC40AAC-4T	150	4	NA	20	10	535	760x720x1300
-	LC50A00-4T	150	4	NA	20	10	545	760x720x1300
-	LC50A02-4T	150	4	NA	20	10	545	760x720x1300
-	LC50A05-4T	150	4	NA	20	10	545	760x720x1300
-	LC50A10-4T	150	4	NA	20	10	545	760x720x1300

NA= Not applicable: self cleaner diffuser

I-36063 Marostica (Vicenza) Italy
www.valco.eu

**LC-CHANNEL Range VALCO BRAND Sewage Wastewater
Submersible Electric Pumps Liqua™**

Pump and motor construction data
with limits of use and operating conditions

Types		Coupling device type
1 PH 230V 50Hz	3 PH 400V 50Hz	
LC1000	-	TH IN LINE
-	LC1000T	TH IN LINE
LC1010	-	TH IN LINE
-	LC1010T	TH IN LINE
LC1015	-	NOT PROVIDED
-	LC1015T	NOT PROVIDED
LC1505	-	TH IN LINE
-	LC1505T	TH IN LINE
LC1510	-	FL BEND
-	LC1510T	FL BEND
LC1525	-	TH IN LINE
-	LC1525T	TH IN LINE
LC1530	-	NOT PROVIDED
-	LC1530T	NOT PROVIDED
LC2005	-	FL BEND
-	LC2005T	FL BEND
LC2015	-	TH IN LINE
-	LC2015T	TH IN LINE
-	LC2025T	NOT PROVIDED
-	LC2030T	TH IN LINE
-	LC2040-4T	FL BEND
-	LC2045-4T	FL BEND
-	LC2050-4T	FL BEND
-	LC2057-4T	FL BEND
-	LC3000T	FL BEND
-	LC3010T	FL BEND
-	LC3015T	TH BEND
-	LC3020T	FL BEND
-	LC3022T	TH BEND
-	LC3035-4T	FL BEND
-	LC3040-4T	FL BEND
-	LC3050-4T	FL BEND
-	LC3052-4T	FL BEND
-	LC3057-4T	FL BEND
-	LC3068-4T	FL BEND
-	LC3069-4T	FL BEND
-	LC4005T	TH BEND
-	LC4007T	TH BEND
-	LC4009T	FL BEND
-	LC4015T	FL BEND
-	LC4020-4T	FL BEND
-	LC4022-4T	FL BEND
-	LC4035-4T	FL BEND
-	LC4045-4T	FL BEND
-	LC4050-4T	FL BEND
-	LC4052-4T	FL BEND
-	LC4057-4T	FL BEND
-	LC550CT	FL BEND
-	LC5517-4T	FL BEND
-	LC5520-4T	FL BEND
-	LC5522-4T	FL BEND
-	LC6000T	TH BEND
-	LC7506-4T	FL BEND
-	LC7508-4T	FL BEND
-	LC7510-4T	FL BEND
-	LC7512-4T	FL BEND
-	LC7513-4T	FL BEND
-	LC80A0-4T	FL BEND
-	LC9000-4T	FL BEND
-	LC10A00T	FL BEND
-	LC10A18-4T	FL BEND
-	LC10A21-4T	FL BEND
-	LC10A27-4T	FL BEND
-	LC10A42-4T	FL BEND
-	LC12A05-4T	FL BEND
-	LC12B01-4T	FL BEND
-	LC12B02-4T	FL BEND
-	LC12B03-4T	FL BEND
-	LC12B04-4T	FL BEND
-	LC12B06-4T	FL BEND
-	LC15A15-4T	FL BEND
-	LC15A1A-4T	FL BEND
-	LC15A16-4T	FL BEND
-	LC15A17-4T	FL BEND
-	LC15A27-4T	FL BEND
-	LC18A05-4T	FL BEND
-	LC20A01-4T	FL BEND
-	LC20A11-4T	FL BEND
-	LC20A12-4T	FL BEND
-	LC25A12-4T	FL BEND
-	LC25A13-4T	FL BEND
-	LC30A07-4T	FL BEND
-	LC30A09-4T	FL BEND
-	LC40AAA-4T	FL BEND
-	LC40AAB-4T	FL BEND
-	LC40AAC-4T	FL BEND
-	LC50A00-4T	FL BEND
-	LC50A02-4T	FL BEND
-	LC50A05-4T	FL BEND
-	LC50A10-4T	FL BEND



FL BEND: Autocoupling device flanged with 90° bend
TH IN LINE: Autocoupling device threaded in line
TH BEND: Autocoupling device threaded with 90° bend

All the coupling device are made in cast iron

Supplied as standard: Coupling foot, slide coupling flange and screws, upper support

Optional on demand with overprice: counter flanges for coupling devices, chains, gaskets, anchors, screws.



I-36063 Marostica (Vicenza) Italy
www.valco.eu

**LC-CHANNEL Range VALCO BRAND Sewage Wastewater Submersible
Electric Pumps Liqua™**

Pump and motor construction data
with limits of use and operating conditions

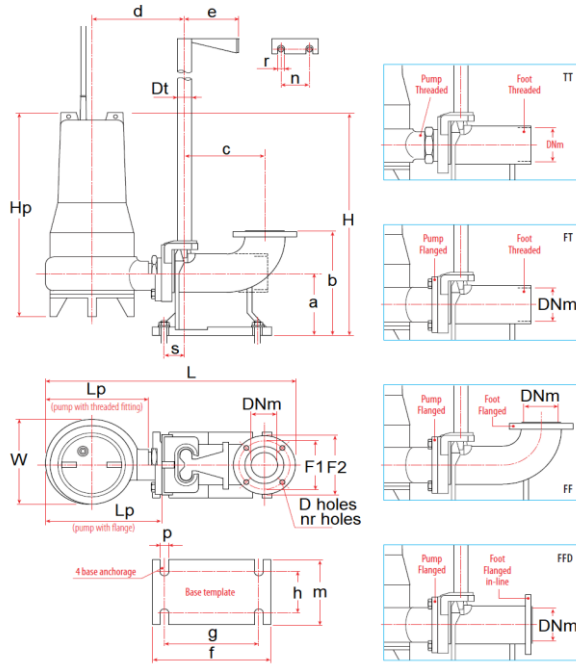
Types		PUMP WITH COUPLING DEVICE DIMENSIONS IN mm																						
1 PH 230V 50Hz	3 PH 400V 50Hz	L	W	H	a	b	c	d	e	f	g	h	m	n	p	r	s	DNm	Dt	F1	F2	n.hol	Dhol	AC
-	LC1000	390	213	497	133	na	83	193	86	156	110	100	130	50	15	10	nd	2"	3/4"	na	na	na	na	TT
-	LC1000T	390	213	497	133	na	83	193	86	156	110	100	130	50	15	10	nd	2"	3/4"	na	na	na	na	TT
-	LC1010	392	176	496	nd	nd	nd	nd	nd	nd	nd	nd	nd	nd	nd	nd	nd	2"	3/4"	na	na	na	na	TT
-	LC1010T	392	176	496	nd	nd	nd	nd	nd	nd	nd	nd	nd	nd	nd	nd	nd	2"	3/4"	na	na	na	na	TT
-	LC1015	354	164	420	nd	nd	nd	nd	nd	nd	nd	nd	nd	nd	nd	nd	nd	2"	3/4"	na	na	na	na	FT
-	LC1015T	354	164	420	nd	nd	nd	nd	nd	nd	nd	nd	nd	nd	nd	nd	nd	2"	3/4"	na	na	na	na	FT
-	LC1505	390	213	497	133	na	83	193	86	156	110	100	130	50	15	10	nd	2"	3/4"	na	na	na	na	TT
-	LC1505T	390	213	497	133	na	83	193	86	156	110	100	130	50	15	10	nd	2"	3/4"	na	na	na	na	TT
-	LC1510	639	200	560	130	260	145	280	55	nd	200	100	nd	95	18	10	nd	65	1 1/4"	145	185	4	18	FF
-	LC1510T	639	200	560	130	260	145	280	55	nd	200	100	nd	95	18	10	nd	65	1 1/4"	145	185	4	18	FF
-	LC1525	392	176	536	nd	nd	nd	nd	nd	nd	nd	nd	nd	nd	nd	nd	nd	2"	3/4"	na	na	na	na	TT
-	LC1525T	392	176	536	nd	nd	nd	nd	nd	nd	nd	nd	nd	nd	nd	nd	nd	2"	3/4"	na	na	na	na	TT
-	LC1530	526	214	454	nd	nd	nd	nd	nd	nd	nd	nd	nd	nd	nd	nd	nd	3"	3/4"	na	na	na	na	FT
-	LC1530T	526	214	454	nd	nd	nd	nd	nd	nd	nd	nd	nd	nd	nd	nd	nd	3"	3/4"	na	na	na	na	FT
-	LC2005	639	200	560	130	260	145	280	55	nd	200	100	nd	95	18	10	nd	65	1 1/4"	145	185	4	18	FF
-	LC2005T	639	200	560	130	260	145	280	55	nd	200	100	nd	95	18	10	nd	65	1 1/4"	145	185	4	18	FF
-	LC2015	407	235	521	133	na	83	202	86	156	110	100	130	50	15	10	nd	2"	3/4"	na	na	na	na	TT
-	LC2015T	407	235	521	133	na	83	202	86	156	110	100	130	50	15	10	nd	2"	3/4"	na	na	na	na	TT
-	LC2025T	526	214	454	nd	nd	nd	nd	nd	nd	nd	nd	nd	nd	nd	nd	nd	3"	3/4"	na	na	na	na	FT
-	LC2030T	392	176	536	nd	nd	nd	nd	nd	nd	nd	nd	nd	nd	nd	nd	nd	2"	3/4"	na	na	na	na	TT
-	LC2040-4T	nd	310	653	nd	340	nd	nd	75	nd	250	140	nd	nd	18	nd	nd	80	2"	160	200	4	18	FF
-	LC2045-4T	nd	310	655	nd	400	nd	nd	75	nd	265	140	nd	nd	18	nd	nd	100	2"	180	220	8	18	FF
-	LC2050-4T	835	317	695	200	400	190	347	85	nd	250	140	nd	130	20	10	nd	100	2"	180	220	8	18	FF
-	LC2052-4T	790	301	707	200	350	189	351	75	nd	220	200	240	200	18	nd	nd	80	2"	160	200	4	18	FF
-	LC3000T	639	200	560	130	260	145	280	55	nd	200	100	nd	95	18	10	nd	65	1 1/4"	145	185	4	18	FF
-	LC3010T	nd	190	524	nd	260	nd	nd	75	nd	220	100	nd	nd	18	nd	nd	65	1 1/4"	145	185	4	18	FF
-	LC3015T	528	390	671	nd	nd	nd	nd	nd	nd	nd	nd	nd	nd	nd	nd	nd	3"	1"	na	na	na	na	FT
-	LC3020T	484	290	570	146	na	83	248	86	163	110	100	130	50	18	10	nd	2 1/2"	3/4"	na	na	na	na	FT
-	LC3022T	604	279	657	nd	nd	nd	nd	nd	nd	nd	nd	nd	nd	nd	nd	nd	3"	1"	na	na	na	na	FF
-	LC3035-4T	nd	310	653	nd	340	nd	nd	75	nd	250	140	nd	nd	18	nd	nd	80	2"	160	200	4	18	FF
-	LC3040-4T	732	315	646	180	302	142	330	80	nd	160	110	nd	nd	18	nd	nd	80	2"	160	200	8	18	FF
-	LC3050-4T	835	317	695	200	400	190	347	85	nd	250	140	nd	130	20	10	nd	100	2"	180	220	8	18	FF
-	LC3052-4T	831	322	730	210	375	184	376	75	nd	220	200	240	200	18	nd	nd	100	2"	180	220	8	19	FF
-	LC3057-4T	790	301	707	200	350	189	351	75	nd	220	200	240	200	18	nd	nd	80	2"	160	200	4	18	FF
-	LC3068-4T	790	301	707	200	350	189	351	75	nd	220	200	240	200	18	nd	nd	80	2"	160	200	4	18	FF
-	LC3069-4T	831	322	730	210	375	184	376	75	nd	220	200	240	200	18	nd	nd	100	2"	180	220	8	19	FF
-	LC4005T	528	390	671	nd	nd	nd	nd	nd	nd	nd	nd	nd	nd	nd	nd	nd	3"	1"	na	na	na	na	FT
-	LC4007T	604	279	657	nd	nd	nd	nd	nd	nd	nd	nd	nd	nd	nd	nd	nd	3"	1"	na	na	na	na	FF
-	LC4009T	722	220	690	190	340	165	319	85	nd	250	140	nd	130	18	10	nd	80	2"	160	200	8	18	FF
-	LC4015T	nd	227	645	nd	340	nd	nd	75	nd	250	140	nd	nd	18	nd	nd	80	2"	160	200	4	18	FF
-	LC4020-4T	nd	310	653	nd	340	nd	nd	75	nd	250	140	nd	nd	18	nd	nd	80	2"	160	200	4	18	FF
-	LC4022-4T	790	301	707	200	350	189	351	75	nd	220	200	240	200	18	nd	nd	80	2"	160	200	4	18	FF
-	LC4035-4T	835	317	695	200	400	190	347	85	nd	250	140	nd	130	20	10	nd	100	2"	180	220	8	18	FF
-	LC4045-4T	732	315	646	180	302	142	330	80	nd	160	110	nd	nd	18	nd	nd	80	2"	160	200	8	18	FF
-	LC4050-4T	nd	310	655	nd	400	nd	nd	75	nd	265	140	nd	nd	18	nd	nd	100	2"	180	220	8	18	FF
-	LC4052-4T	831	322	730	210	375	184	376	75	nd	220	200	240	200	18	nd	nd	100	2"	180	220	8	19	FF
-	LC4057-4T	790	301	707	200	350	189	351	75	nd	220	200	240	200	18	nd	nd	80	2"	160	200	4	18	FF
-	LC550CT	722	220	690	190	340	165	319	85	nd	250	140	nd	130	18	10	nd	80	2"	160	200	8	18	FF
-	LC5517-4T	790	301	734	200	350	189	351	75	nd	220	200	240	200	18	nd	nd	80	2"	160	200	4	18	FF
-	LC5520-4T	900	371	755	200	400	190	384	85	nd	250	140	nd	130	20	10	nd	100	2"	180	220	8	18	FF
-	LC5522-4T	831	322	757	210	375	184	376	75	nd	220	200	240	200	18	nd	nd	100	2"	180	220	8	19	FF
-	LC6000T	528	390	671	nd	nd	nd	nd	nd	nd	nd	nd	nd	nd	nd	nd	nd	3"	1"	na	na	na	na	FT
-	LC7506-4T	790	301	802	200	350	189	351	75	nd	220	200	240	200	18	nd	nd	80	2"	160	200	4	18	FF
-	LC7508-4T	831	322	825	210	375	184	376	75	nd	220	200	240	200	18	nd	nd	100	2"	180	220	8	19	FF
-	LC7510-4T	900	371	755	200	400	190	384	85	nd	250	140	nd	130	20	10	nd	100	2"	180	220	8	18	FF
-	LC7512-4T	831	322	825	210	375	184	376	75	nd	220	200	240	200	18	nd	nd	100	2"	180	220	8	19	FF
-	LC7513-4T	790	301	802	200	350	189	351	75	nd	220	200	240	200	18	nd	nd	80	2"	160	200	4	18	FF
-	LC80A0-4T	1016	442	910	265	475	207	449	75	nd	285	270	320	200	22	nd	nd	150	2"	240	285	8	22	FF
-	LC9000-4T	935	467	927	235	435	177	578	102	nd	214	194	nd	nd	19	12.5	nd	150	2"	240	285	8	22	FF
-	LC10A00T	750	240	745	190	340	165	350	85	nd	250	140	nd	130	18	10	nd	80	2"	160	200	8	18	FF
-	LC10A18-4T	893	392	758	200	350	189	411	75	nd	220	200	240	200	18	nd	nd	80	2"	160	200	4	18	FF
-	LC10A21-4T	893	392	758	200	350	189	411	75	nd	220	200	240	200	18	nd	nd	80	2"	160	200	4	18	FF
-	LC10A27-4T	909	408	778	210	375	184	411	75	nd	220	200	240	200	18	nd	nd	100	2"	180	220	8	19	FF
-	LC10A42-4T	1016	442	892	265	475	207	449	75	nd	285	270	320	200	22	nd	nd	150	2"	240	285	8	22	FF
-																								

I-36063 Marostica (Vicenza) Italy
www.valco.eu

**LC-CHANNEL Range VALCO BRAND Sewage Wastewater Submersible
Electric Pumps Liqua™**

Pump and motor construction data
with limits of use and operating conditions

Not in scale



Legenda

AC = TYPES OF AUTOCLIPING DEVICES

TT= Pump threaded - Foot threaded

FF= Pump flanged - Foot flanged

FT= Pump flanged - Foot threaded

nd=not available

na=non applicable



FL BEND: Autocoupling device flanged with 90° bend



TH IN LINE: Autocoupling device threaded in line