

**L-LIGHT VALCO Dirty Waters Submersible Portable Electric Pumps made in synthetic corrosion and abrasionfree material, cast iron or in stainless steel, suitable for light dirty waters applications. - Liqua™**

#### Applications

Suitable for domestic, residential, industrial, agricultural and civil drainage and wastewater sewage uses: dewatering; sump drainage, effluent and sewage; ponds, construction, mines, reclamation, swimming pools, basements and flooded areas, stormwaters, irrigation, stock breeding, food beverage, for waste, sewage and washwater for single and several households and public buildings, for building sites also partially dry, for continuous and heavy duties for most types of fluids also with bodies in suspension in water treatment plants, brackish waters, dirty waters, sludge, industrial processes, etc.



Product image could vary from the actual product

I-36063 Marostica (Vicenza) Italy  
www.valco.eu

**L-LIGHT Range VALCO BRAND Dirty Waters Submersible Portable  
Electric Pumps Liqua™**

Pump and motor construction data  
with limits of use and operating conditions

Types				Q= Performance at 2900 rpm																								In (A)	
1 PH 230V 50Hz	3 PH 400V 50Hz	HP	kW	m3/h l/m.	0	0,6	1,2	1,5	2,4	3	3,6	4,8	6	7,2	9	9,6	12	15	18	24	27	30	36	1x230V	3x400V				
L400F	-	0,4	0,3	6,2	6,0	5,7	5,6	5,2	4,9	4,5	3,8	3,0	2,0													2,2	-		
-	L400T	0,4	0,3	6,2	6,0	5,7	5,6	5,2	4,9	4,5	3,8	3,0	2,0													-	0,85		
L500F	-	0,5	0,37	7,0	7,0	6,8	6,7	6,4	6,2	6,0	5,5	5,0	4,6	3,8	3,6	2,4											3,0	-	
-	L505T	0,5	0,37	6,4	6,2	6,0	5,9	5,5	5,3	5,0	4,3	3,7	2,7	1,3													2,7	-	
L605F	-	0,6	0,45	6,4	6,2	6,0	5,9	5,5	5,3	5,0	4,3	3,7	2,7	1,3													-	1	
-	L605T	0,6	0,45	7,5	7,3	7,2	7,0	6,7	6,4	6,1	5,3	4,6	3,7	2,6	2,2												2,8	-	
L610F	-	0,6	0,45	6,2	6,0	5,7	5,6	5,4	5,2	5,0	4,5	4,0	3,2	2,0													2,3	-	
-	L80AF	0,8	0,6	12,0	11,8	11,6	11,5	11,2	11,0	10,8	10,4	10,0	9,6	8,8	8,5	7,3	5,7	4,0									4,5	-	
L810F	-	0,8	0,6	12,0	11,8	11,6	11,5	11,2	11,0	10,8	10,4	10,0	9,6	8,8	8,5	7,3	5,7	4,0									-	1,6	
-	L80AT	0,8	0,6	8,5	8,3	8,0	7,9	7,4	7,1	6,9	6,4	6,0	5,4	4,5	4,2	3,2											3,8	-	
L815F	-	0,8	0,6	8,3	8,1	7,9	7,8	7,3	7,0	6,7	6,0	5,3	4,5	3,3	2,9	1,3											4,3	-	
-	L815T	0,8	0,6	8,3	8,1	7,9	7,8	7,3	7,0	6,7	6,0	5,3	4,5	3,3	2,9	1,3											-	1,5	
L820F	-	0,8	0,6	8,3	8,0	7,7	7,5	7,1	6,8	6,5	6,0	5,4	4,9	3,9	3,6	2,1											3,5	-	
-	L825F	0,8	0,6	8,1	8,0	7,8	7,8	7,6	7,4	7,3	7,0	6,6	6,3	5,6	5,4	4,4	3,0										3,7	-	
L830F	-	0,8	0,6	7,4	7,2	7,0	6,9	6,5	6,3	6,1	5,8	5,4	5,0	4,5	4,3	3,5											4,7	-	
-	L830T	0,8	0,6	7,4	7,2	7,0	6,9	6,5	6,3	6,1	5,8	5,4	5,0	4,5	4,3	3,5											-	2,2	
L835F	-	0,8	0,6	7,4	7,2	7,0	6,9	6,5	6,3	6,1	5,8	5,4	5,0	4,5	4,3	3,5											4,7	-	
-	L835T	0,8	0,6	7,4	7,2	7,0	6,9	6,5	6,3	6,1	5,8	5,4	5,0	4,5	4,3	3,5											-	2,2	
L840F	-	0,8	0,6	6,5		6,0	5,9	5,5	5,3	5,0	4,5	4,0	3,6	3,0	2,8	2,2	1,6	1,0									4,3	-	
-	L840T	0,8	0,6	6,5		6,0	5,9	5,5	5,3	5,0	4,5	4,0	3,6	3,0	2,8	2,2	1,6	1,0									-	1,5	
L845F	-	0,8	0,6	5,4	5,1	4,9	4,8	4,5	4,2	3,9	3,4	2,9	2,5	1,7													2,6	-	
-	L1000F	1	0,75	10,4	10,3	10,1	10,0	9,6	9,3	8,9	8,2	7,5	6,8	5,7	5,3	3,6	1,4										4,8	-	
L1005F	-	1	0,75	10,4	10,3	10,1	10,0	9,6	9,3	8,9	8,2	7,5	6,8	5,7	5,3	3,6	1,4										-	1,9	
-	L1005T	1	0,75	9,8	9,6	9,5	9,4	9,2	9,0	8,9	8,6	8,3	7,9	7,3	7,1	6,3	5,1	3,5									6,2	-	
L1010F	-	1	0,75	9,8	9,6	9,5	9,4	9,2	9,0	8,9	8,6	8,3	7,9	7,3	7,1	6,3	5,1	3,5									-	2,8	
-	L1010T	1	0,75	9,8	9,6	9,5	9,4	9,2	9,0	8,9	8,6	8,3	7,9	7,3	7,1	6,3	5,1	3,5									6,2	-	
L1015F	-	1	0,75	9,8	9,6	9,5	9,4	9,2	9,0	8,9	8,6	8,3	7,9	7,3	7,1	6,3	5,1	3,5									-	2,8	
-	L1015T	1	0,75	9,8	9,6	9,5	9,4	9,1	8,9	8,7	8,3	7,9	7,4	6,7	6,4	5,3	3,9	2,2									4,8	-	
L1025F	-	1	0,75	9,8	9,6	9,5	9,4	9,1	8,9	8,7	8,3	7,9	7,4	6,7	6,4	5,3	3,9	2,2									-	1,8	
-	L1025T	1	0,75	7,4	7,1	6,8	6,6	6,1	5,8	5,5	5,1	4,7	4,0	2,7													3,8	-	
L1030F	-	1	0,75	7,4	7,1	6,8	6,6	6,1	5,8	5,5	5,1	4,7	4,0	2,7													-	1,7	
-	L1030T	1	0,75	7,7			7,0	6,6	6,4	6,1	5,6	5,2	4,8	4,2	4,0	3,3	2,6	2,0	1,0								4,8	-	
L120AF	-	1,2	0,9	7,7			7,0	6,6	6,4	6,1	5,6	5,2	4,8	4,2	4,0	3,3	2,6	2,0	1,0								-	1,9	
-	L120AT	1,2	0,9	14,1	13,8	13,6	13,5	13,1	12,9	12,6	12,1	11,6	11,1	10,3	10,0	8,9	7,3	5,6	1,7								6,5	-	
L1210F	-	1,2	0,9	14,1	13,8	13,6	13,5	13,1	12,9	12,6	12,1	11,6	11,1	10,3	10,0	8,9	7,3	5,6	1,7								-	2,0	
-	L1210T	1,2	0,9	9,8						8,9	8,6	8,3	8,0	7,5	7,4	6,7	5,9	5,0	3,1	2,0							5,6	-	
L1215F	-	1,2	0,9	9,8						8,9	8,6	8,3	8,0	7,5	7,4	6,7	5,9	5,0	3,1	2,0							-	2,0	
-	L1215T	1,2	0,9	9,5	9,3	9,0	8,9	8,5	8,3	8,1	7,6	7,2	6,7	6,0	5,7	4,1	1,6										4,2	-	
L1220F	-	1,2	0,9	9,0	8,8	8,6	8,5	8,3	8,1	7,8	7,3	6,8	6,2	5,2	4,9	3,8	2,0										4,2	-	
L1505F	-	1,5	1,1	13,1		12,7	12,6	12,4	12,2	12,0	11,6	11,1	10,7	10,0	9,8	9,1	8,2	7,3	5,1	3,7	2,6						8,4	-	
-	L1505T	1,5	1,1	13,1		12,7	12,6	12,4	12,2	12,0	11,6	11,1	10,7	10,0	9,8	9,1	8,2	7,3	5,1	3,7	2,6						-	2,8	
L1515F	-	1,5	1,1	10,6			10,1	9,8	9,6	9,5	9,1	8,8	8,4	7,9	7,8	7,1	6,3	5,4	3,4	2,0							8,4	-	
-	L1515T	1,5	1,1	10,6			10,1	9,8	9,6	9,5	9,1	8,8	8,4	7,9	7,8	7,1	6,3	5,4	3,4	2,0							-	2,8	
L2000QF	-	2	1,5	15,7			15,4	15,2	15,0	14,9	14,6	14,3	14,0	13,5	13,3	12,6	11,5	10,5	8,0	6,6	5,3	2				9,4	-		
-	L2000T	2	1,5	15,7			15,4	15,2	15,0	14,9	14,6	14,3	14,0	13,5	13,3	12,6	11,5	10,5	8,0	6,6	5,3	2				-	3,6		
L2005F	-	2	1,5	12,1	12,0	11,9	11,8	11,6	11,4	11,2	10,8	10,2	9,8	9,1	8,9	8,1	7,0	6,0									10,4	-	
-	L2010F	2	1,5	11,7						11,2	11,0	10,8	10,5	10,0	9,8	9,1	8,2	7,3	5,3	4,0	3,0						9,4	-	
L2010QF	-	2	1,5	11,7						11,2	11,0	10,8	10,5	10,0	9,8	9,1	8,2	7,3	5,3	4,0	3,0						-	3,6	
-	L2010T	2	1,5	11,2						10,2	9,8	9,5	9,2	8,7	8,5	7,8	7,0	6,1	4,5	3,7	2,8						8,8	-	
L2015QF	-	2	1,5	11,2						10,2	9,8	9,5	9,2	8,7	8,5	7,8	7,0	6,1	4,5	3,7	2,8						-	3,8	
-	L2015T	2	1,5	11,2						10,2	9,8	9,5	9,2	8,7	8,5	7,8	7,0	6,1	4,5	3,7	2,8						-	3,8	

• Reduction in speed will result in a fall of performance. • DO NOT RUN PUMP DRY! • Tolerances according to ISO 9906 Grade 3B.

I-36063 Marostica (Vicenza) Italy  
www.valco.eu

**L-LIGHT Range VALCO BRAND Dirty Waters Submersible Portable  
Electric Pumps Liqua™**

Pump and motor construction data  
with limits of use and operating conditions

**OPERATING CONDITIONS (LIMITS OF USE)**

Maximum temperature of pumped liquid °C	0 +35
pH of pumped liquid	6 - 10
Density of pumped liquid with $\gamma$ =water specific gravity kg/dm <sup>3</sup>	1
Installation type	Submerged

**MOTOR**

Asynchronous Electric motor	
Insulation class	F
Degree of protection IP	68
Service	Continuous duty
Maximum tolerance (fluctuation) from the nominal voltage	±6%
Starts per hour max	30

3phase version the overload motor protection must be provided by the user (we recommend the use of a control box)

All single phase models supplied as standard with float switch.

Single phase version

Type	OVERLOAD PROTECTION	CAPACITOR
L400F	INT	INT
L500F	INT	INT
L505F	INT	INT
L605F	INT	INT
L610F	INT	INT
L80AF	INT	INT
L810F	INT	INT
L815F	INT	INT
L820F	INT	INT
L825F	INT	INT
L830F	INT	INT
L835F	INT	INT
L840F	INT	INT
L845F	INT	INT
L1000F	INT	INT
L1005F	INT	INT
L1010F	INT	INT
L1015F	INT	INT
L1025F	INT	INT
L1030F	INT	INT
L120AF	INT	INT
L1210F	INT	INT
L1215F	INT	INT
L1220F	INT	INT
L1505F	INT	INT
L1515F	INT	INT
L2000QF	EXT BOX	EXT BOX
L2005F	INT	INT
L2010QF	EXT BOX	EXT BOX
L2015QF	EXT BOX	EXT BOX

INT: Internal capacitor / overload protection  
EXT BOX: External box

Optional on demand with over price:  
**Compact design with vertical  
Valco MSL float switch level  
regulator for narrow spaces  
for L810F, L1215F, 2005F**



I-36063 Marostica (Vicenza) Italy  
www.valco.eu

**L-LIGHT Range VALCO BRAND Dirty Waters Submersible Portable  
Electric Pumps Liqua™**

Pump and motor construction data  
with limits of use and operating conditions

Types	Motor casing and pump body material	Impeller material	Motor chamber	Mechanical seal code	Shaft material (pump side) stainless steel	Type of delivery HOR: horizontal VER: vertical	Autocoupling device type
L400F	Motor casing and pump in cast iron	Cast iron	In oil	PKA-MR-O	DIN/EN 1.4021 (AISI 420)	HOR*	TH IN LINE
L400T	Motor casing and pump in cast iron	Cast iron	In oil	PKA-MR-O	DIN/EN 1.4021 (AISI 420)	HOR*	TH IN LINE
L500F	Motor casing in stainless steel, pump in cast iron	Cast iron	In oil	PGA-MR-O	DIN/EN 1.4005 (AISI 416)	HOR	TH IN LINE
L505F	Motor casing and pump in cast iron	Cast iron	In oil	PKA-MR-O	DIN/EN 1.4021 (AISI 420)	HOR*	TH IN LINE
L505T	Motor casing and pump in cast iron	Cast iron	In oil	PKA-MR-O	DIN/EN 1.4021 (AISI 420)	HOR*	TH IN LINE
L605F	Motor casing and pump in stainless steel	Stainless st.	Dry	PGA-MRR-O	DIN/EN 1.4305 (AISI 303)	TOP	NOT PROVIDED
L610F	Motor casing and pump in technopolymer	Noryl®	Dry	GA	DIN/EN 1.4021 (AISI 420)	HOR	NOT PROVIDED
L80AF	Motor casing and pump in cast iron	Cast iron	Dry	PKK-MR-O	DIN/EN 1.4021 (AISI 420)	VER	NOT PROVIDED
L80AT	Motor casing and pump in cast iron	Cast iron	Dry	PKK-MR-O	DIN/EN 1.4021 (AISI 420)	VER	NOT PROVIDED
L810F	Motor casing and pump in stainless steel	Stainless st.	Dry	KK	DIN/EN 1.4021 (AISI 420)	HOR	NOT PROVIDED
L815F	Motor casing and pump in cast iron	Cast iron	In oil	PKA-MR-O	DIN/EN 1.4021 (AISI 420)	HOR*	TH IN LINE
L815T	Motor casing and pump in cast iron	Cast iron	In oil	PKA-MR-O	DIN/EN 1.4021 (AISI 420)	HOR*	TH IN LINE
L820F	Motor casing and pump in technopolymer	Stainless st.	Dry	KK	DIN/EN 1.4021 (AISI 420)	HOR	NOT PROVIDED
L825F	Motor casing in stainless steel, pump in cast iron	Cast iron	In oil	PGA-MR-O	DIN/EN 1.4005 (AISI 416)	HOR	TH IN LINE
L830F	Motor casing and pump in stainless steel	Stainless st.	Dry	PKK-MR-O	DIN/EN 1.4016 (AISI 430)	HOR	NOT PROVIDED
L830T	Motor casing and pump in stainless steel	Stainless st.	Dry	PKK-MR-O	DIN/EN 1.4016 (AISI 430)	HOR	NOT PROVIDED
L835F	Motor casing and pump in stainless steel	Stainless st.	Dry	PKK-MR-O	DIN/EN 1.4016 (AISI 430)	HOR	NOT PROVIDED
L835T	Motor casing and pump in stainless steel	Stainless st.	Dry	PKK-MR-O	DIN/EN 1.4016 (AISI 430)	HOR	NOT PROVIDED
L840F	Motor casing and pump in cast iron	Cast iron	In oil	PKA-MR-O	DIN/EN 1.4021 (AISI 420)	HOR*	TH IN LINE
L840T	Motor casing and pump in cast iron	Cast iron	In oil	PKA-MR-O	DIN/EN 1.4021 (AISI 420)	HOR*	TH IN LINE
L845F	Motor casing and pump in technopolymer	Noryl®	Dry	RR	DIN/EN 1.4005 (AISI 416)	TOP	NOT PROVIDED
L1000F	Motor casing and pump in cast iron	Cast iron	In oil	PKA-MR-O	DIN/EN 1.4021 (AISI 420)	HOR*	TH IN LINE
L1000T	Motor casing and pump in cast iron	Cast iron	In oil	PKA-MR-O	DIN/EN 1.4021 (AISI 420)	HOR*	TH IN LINE
L1005F	Motor casing and pump in stainless steel	Stainless st.	Dry	PKK-MR-O	DIN/EN 1.4016 (AISI 430)	HOR	NOT PROVIDED
L1005T	Motor casing and pump in stainless steel	Stainless st.	Dry	PKK-MR-O	DIN/EN 1.4016 (AISI 430)	HOR	NOT PROVIDED
L1010F	Motor casing and pump in stainless steel	Stainless st.	Dry	PKK-MR-O	DIN/EN 1.4016 (AISI 430)	HOR	NOT PROVIDED
L1010T	Motor casing and pump in stainless steel	Stainless st.	Dry	PKK-MR-O	DIN/EN 1.4016 (AISI 430)	HOR	NOT PROVIDED
L1015F	Motor casing in stainless steel, pump in cast iron	Cast iron	In oil	PGA-MR-O	DIN/EN 1.4005 (AISI 416)	HOR	TH IN LINE
L1015T	Motor casing in stainless steel, pump in cast iron	Cast iron	In oil	PGA-MR-O	DIN/EN 1.4005 (AISI 416)	HOR	TH IN LINE
L1025F	Motor casing and pump in technopolymer	Noryl®	Dry	RR	DIN/EN 1.4005 (AISI 416)	TOP	NOT PROVIDED
L1025T	Motor casing and pump in technopolymer	Noryl®	Dry	RR	DIN/EN 1.4005 (AISI 416)	TOP	NOT PROVIDED
L1030F	Motor casing and pump in cast iron	Cast iron	In oil	PKA-MR-O	DIN/EN 1.4021 (AISI 420)	HOR*	TH IN LINE
L1030T	Motor casing and pump in cast iron	Cast iron	In oil	PKA-MR-O	DIN/EN 1.4021 (AISI 420)	HOR*	TH IN LINE
L120AF	Motor casing and pump in cast iron	Cast iron	Dry	PKK-MR-O	DIN/EN 1.4021 (AISI 420)	VER	NOT PROVIDED
L120AT	Motor casing and pump in cast iron	Cast iron	Dry	PKK-MR-O	DIN/EN 1.4021 (AISI 420)	VER	NOT PROVIDED
L1210F	Motor casing in stainless steel, pump in cast iron	Cast iron	Dry	PKK-MR-O	DIN/EN 1.4021 (AISI 420)	HOR/VER	TH IN LINE
L1210T	Motor casing in stainless steel, pump in cast iron	Cast iron	Dry	PKK-MR-O	DIN/EN 1.4021 (AISI 420)	HOR/VER	TH IN LINE
L1215F	Motor casing and pump in stainless steel	Stainless st.	Dry	KK	DIN/EN 1.4021 (AISI 420)	HOR	NOT PROVIDED
L1220F	Motor casing and pump in technopolymer	Stainless st.	Dry	KK	DIN/EN 1.4021 (AISI 420)	HOR	NOT PROVIDED
L1505F	Motor casing and pump in cast iron	Cast iron	In oil	PKA-MR-O	DIN/EN 1.4021 (AISI 420)	HOR*	TH IN LINE
L1505T	Motor casing and pump in cast iron	Cast iron	In oil	PKA-MR-O	DIN/EN 1.4021 (AISI 420)	HOR*	TH IN LINE
L1515F	Motor casing and pump in cast iron	Cast iron	In oil	PKA-MR-O	DIN/EN 1.4021 (AISI 420)	HOR*	TH IN LINE
L1515T	Motor casing and pump in cast iron	Cast iron	In oil	PKA-MR-O	DIN/EN 1.4021 (AISI 420)	HOR*	TH IN LINE
L2000QF	Motor casing and pump in cast iron	Cast iron	In oil	PKA-MR-O	DIN/EN 1.4021 (AISI 420)	HOR*	TH IN LINE
L2000T	Motor casing and pump in cast iron	Cast iron	In oil	PKA-MR-O	DIN/EN 1.4021 (AISI 420)	HOR*	TH IN LINE
L2005F	Motor casing and pump in stainless steel	Cast iron	In oil	PKK-MR	DIN/EN 1.4021 (AISI 420)	HOR	NOT PROVIDED
L2010QF	Motor casing and pump in cast iron	Cast iron	In oil	PKA-MR-O	DIN/EN 1.4021 (AISI 420)	HOR*	TH IN LINE
L2010T	Motor casing and pump in cast iron	Cast iron	In oil	PKA-MR-O	DIN/EN 1.4021 (AISI 420)	HOR*	TH IN LINE
L2015QF	Motor casing in stainless steel, pump in cast iron	Cast iron	Dry	PKK-MR-O	DIN/EN 1.4021 (AISI 420)	HOR/VER	TH IN LINE
L2015T	Motor casing in stainless steel, pump in cast iron	Cast iron	Dry	PKK-MR-O	DIN/EN 1.4021 (AISI 420)	HOR/VER	TH IN LINE

L605F available on demand with overprice also in stainless steel AISI 316.

HOR\*: available also on demand with overprice in execution with vertical delivery.

HOR/VER: available also on demand with overprice in execution with flange and counterflange (not UNI EN) 2" threaded horizontal delivery.

Mechanical seal code:

P: Pump side  
A: Ceramic  
K: Silicon carbide  
O: In oil chamber  
M: Motor Side  
G: Carbon graphite  
R: Seal Ring

TH IN LINE: Autocoupling device threaded in line







I-36063 Marostica (Vicenza) Italy  
www.valco.eu

**L-LIGHT Range VALCO BRAND Dirty Waters Submersible Portable  
Electric Pumps Liqua™**

Pump and motor construction data  
with limits of use and operating conditions

Types		DNm	Poles	Ø max solids in susp. Free passage (mm)	max immersion depth (m)	Cable length (m) H07RN-F	Weight in Kg	Electric pump dimensions in mm LxWxH
1 PH 230V 50Hz	3 PH 400V 50Hz							
L400F	-	1 1/4	2	20	20	10	9,0	151x135x263
-	L400T	1 1/4	2	20	20	10	9,0	151x135x263
L500F	-	1 1/2	2	40	5	10	13,0	190x1162x388
L505F	-	1 1/4	2	20	20	10	9,5	151x135x263
-	L505T	1 1/4	2	20	20	10	9,5	151x135x263
L605F	-	1 1/4	2	20	5	10	6,5	154x154x282
L610F	-	1 1/4	2	30	5	10	5,5	152x145x303
L80AF	-	2"	2	40	20	10	23,0	234x165x453
-	L80AT	2"	2	40	20	10	22,5	234x165x453
L810F	-	1 1/2	2	28	5	10	7,5	160x150x325
L815F	-	1 1/2	2	30	20	10	13,0	188x164x317
-	L815T	1 1/2	2	30	20	10	13,0	188x164x317
L820F	-	1 1/4	2	34	5	10	6,5	152x145x347
L825F	-	1 1/2	2	40	5	10	13,0	190x1162x388
L830F	-	1 1/2	2	28	5	10	10,0	183x160x395
-	L830T	1 1/2	2	28	5	10	10,0	183x160x395
L835F	-	2"	2	28	5	10	10,0	183x160x395
-	L835T	2"	2	28	5	10	10,0	183x160x395
L840F	-	2"	2	40	20	10	14,0	210x170x345
-	L840T	2"	2	40	20	10	14,0	210x170x345
L845F	-	1 1/4	2	15	5	10	8,5	176x176x331
L1000F	-	1 1/2	2	30	20	10	14,0	188x164x317
-	L1000T	1 1/2	2	30	20	10	14,0	188x164x317
L1005F	-	1 1/2	2	28	5	10	11,5	183x160x395
-	L1005T	1 1/2	2	28	5	10	11,5	183x160x395
L1010F	-	2"	2	28	5	10	11,5	183x160x395
-	L1010T	2"	2	28	5	10	11,5	183x160x395
L1015F	-	1 1/2	2	40	5	10	14,0	190x1162x388
-	L1015T	1 1/2	2	40	5	10	14,0	190x1162x388
L1025F	-	1 1/4	2	15	5	10	10,0	176x176x331
-	L1025T	1 1/4	2	15	5	10	10,0	176x176x331
L1030F	-	2"	2	40	20	10	15,0	210x170x345
-	L1030T	2"	2	40	20	10	15,0	210x170x345
L120AF	-	2"	2	40	20	10	24,0	234x165x453
-	L120AT	2"	2	40	20	10	24,0	234x165x453
L1210F	-	50/2"	2	50	5	10	18,0	241x180x470
-	L1210T	50/2"	2	50	5	10	18,0	241x180x470
L1215F	-	1 1/2	2	28	5	10	8,0	160x150x325
L1220F	-	1 1/4	2	34	5	10	7,5	152x145x347
L1505F	-	2"	2	40	20	10	20,0	210x170x391
-	L1505T	2"	2	40	20	10	20,0	210x170x391
L1515F	-	2"	2	50	20	10	20,0	210x170x391
-	L1515T	2"	2	50	20	10	20,0	210x170x391
L2000QF	-	2"	2	40	20	10	22,0	210x170x391
-	L2000T	2"	2	40	20	10	22,0	210x170x391
L2005F	-	2"	2	50	5	10	14,5	205x185x400
L2010QF	-	2"	2	50	20	10	22,0	210x170x391
-	L2010T	2"	2	50	20	10	22,0	210x170x391
L2015QF	-	50/2"	2	50	5	10	19,0	241x180x470
-	L2015T	50/2"	2	50	5	10	19,0	241x180x470

**Sewage Wastewater Submersible Electric Pumps with Vortex Impellers, heavy duty, made in cast iron or stainless steel, non-clogging, suitable for dirty liquids containing large solids and/or fibrous materials.- Liqua™**

#### Applications

Suitable for domestic, residential, industrial, agricultural and civil drainage and wastewater sewage uses: dewatering; sump drainage, effluent and sewage; ponds, construction, mines, reclamation, swimming pools, basements and flooded areas, stormwaters, irrigation, stock breeding, food beverage, for waste, sewage and washwater for single and several households and public buildings, for building sites also partially dry, for continuous and heavy duties for most types of fluids also with bodies in suspension in water treatment plants, brackish waters, dirty waters, sludge, industrial processes, etc.







I-36063 Marostica (Vicenza) Italy  
www.valco.eu

**LV-VORTEX Range VALCO BRAND Sewage Wastewater Submersible  
Electric Pumps Liqua™**

Pump and motor construction data  
with limits of use and operating conditions

**OPERATING CONDITIONS (LIMITS OF USE)**

Maximum temperature of pumped liquid °C	0 +35
pH of pumped liquid	6 - 10
Density of pumped liquid with $\gamma$ =water specific gravity kg/dm <sup>3</sup>	1
Installation type	Submerged

**MOTOR**

Asynchronous Electric motor	
Insulation class	F
Degree of protection IP	68
Service	Continuous duty
Maximum tolerance (fluctuation) from the nominal voltage	±6%
Starts per hour max	30 up to 2,2 kW. 20 up to 4 kW, 10 from 5,5 kW and above.

3phase version the overload motor protection must be provided by the user (we recommend the use of a control box)

Optional on demand with overprice float switch.

**1phase version**

Type	OVERLOAD PROTECTION	CAPACITOR
LV400	INT	INT
LV80A	INT	INT
LV805	INT	INT
LV808	INT	INT
LV810	INT	INT
LV815	INT	INT
LV820	INT	INT
LV825	INT	INT
LV830	INT	INT
LV1015	INT	INT
LV1020	INT	INT
LV1025	INT	INT
LV1026	INT	EXT BOX
LV1030	INT	INT
LV1045	INT	INT
LV1050-4	INT	EXT BOX
LV1070-4	INT	EXT BOX
LV120A	INT	INT
LV1200	INT	EXT BOX
LV1203	INT	INT
LV1505	INT	EXT BOX
LV1508	INT	INT
LV1521	INT	EXT BOX
LV1525	INT	INT
LV1531	INT	EXT BOX
LV1540	INT	INT
LV1555	OPT BOX	OPT BOX
LV1565-4	INT	EXT BOX
LV1570-4	INT	EXT BOX
LV2010	INT	EXT BOX
LV2040-4	OPT BOX	OPT BOX
LV2050	OPT BOX	OPT BOX
LV2055-4	OPT BOX	OPT BOX
LV2070-4	OPT BOX	OPT BOX
LV2090-4	OPT BOX	OPT BOX

INT: Internal capacitor / overload protection

EXT BOX: External box

OPT BOX: optional on demand with overprice external box

I-36063 Marostica (Vicenza) Italy  
www.valco.eu

**LV-VORTEX Range VALCO BRAND Sewage Wastewater Submersible  
Electric Pumps Liqua™**

Pump and motor construction data  
with limits of use and operating conditions

Materials 1

Types		Pump materials	Impeller material	Motor chamber	Mechanical seal code	Shaft material (pump side) stainless steel	Type of delivery HOR: horizontal VER: vertical
1 PH 230V 50Hz	3 PH 400V 50Hz						
LV400	-	Motor casing in stainless steel and pump in cast iron	Cast iron	In oil	PGA-MR	DIN/EN 1.4005 (AISI 416)	HOR
LV80A	-	Motor casing and pump in cast iron	Cast iron	Dry	PKK-MR-O	DIN/EN 1.4021 (AISI 420)	HOR
-	LV80AT	Motor casing and pump in cast iron	Cast iron	Dry	PKK-MR-O	DIN/EN 1.4021 (AISI 420)	HOR
LV805	-	Motor casing and pump in stainless steel	Stainless steel	In oil	PGA-MR-O	DIN/EN 1.4401 (AISI 316)	HOR
LV808	-	Motor casing and pump in cast iron	Cast iron	Dry	PKK-MR-O	DIN/EN 1.4021 (AISI 420)	HOR
-	LV808T	Motor casing and pump in cast iron	Cast iron	Dry	PKK-MR-O	DIN/EN 1.4021 (AISI 420)	HOR
LV810	-	Motor casing in stainless steel and pump in cast iron	Stainless steel	In oil	PKK-MR-O	DIN/EN 1.4016 (AISI 430)	VER
-	LV810T	Motor casing in stainless steel and pump in cast iron	Stainless steel	In oil	PKK-MR-O	DIN/EN 1.4016 (AISI 430)	VER
LV815	-	Motor casing in stainless steel and pump in cast iron	Stainless steel	In oil	PKK-MR-O	DIN/EN 1.4016 (AISI 430)	VER
-	LV815T	Motor casing in stainless steel and pump in cast iron	Stainless steel	In oil	PKK-MR-O	DIN/EN 1.4016 (AISI 430)	VER
LV820	-	Motor casing in stainless steel and pump in cast iron	Stainless steel	In oil	PGA-MR-O	DIN/EN 1.4401 (AISI 316)	HOR
LV825	-	Motor casing in stainless steel and pump in cast iron	Stainless steel	In oil	PGA-MR-O	DIN/EN 1.4401 (AISI 316)	VER
-	LV825T	Motor casing in stainless steel and pump in cast iron	Stainless steel	In oil	PGA-MR-O	DIN/EN 1.4401 (AISI 316)	VER
LV830	-	Motor casing in stainless steel and pump in cast iron	Stainless steel	In oil	PGA-MR-O	DIN/EN 1.4401 (AISI 316)	VER
LV1015	-	Motor casing and pump in stainless steel	Stainless steel	In oil	PGA-MR-O	DIN/EN 1.4401 (AISI 316)	HOR
-	LV1015T	Motor casing and pump in stainless steel	Stainless steel	In oil	PGA-MR-O	DIN/EN 1.4401 (AISI 316)	HOR
LV1020	-	Motor casing in stainless steel and pump in cast iron	Stainless steel	In oil	PKK-MR-O	DIN/EN 1.4016 (AISI 430)	VER
-	LV1020T	Motor casing in stainless steel and pump in cast iron	Stainless steel	In oil	PKK-MR-O	DIN/EN 1.4016 (AISI 430)	VER
LV1025	-	Motor casing in stainless steel and pump in cast iron	Stainless steel	In oil	PKK-MR-O	DIN/EN 1.4016 (AISI 430)	VER
-	LV1025T	Motor casing in stainless steel and pump in cast iron	Stainless steel	In oil	PKK-MR-O	DIN/EN 1.4016 (AISI 430)	VER
LV1026	-	Motor casing and pump in cast iron	Cast iron	Dry	PKK-MGA-O	DIN/EN 1.4021 (AISI 420)	HOR
-	LV1026T	Motor casing and pump in cast iron	Cast iron	Dry	PKK-MGA-O	DIN/EN 1.4021 (AISI 420)	HOR
LV1030	-	Motor casing in stainless steel and pump in cast iron	Stainless steel	In oil	PGA-MR-O	DIN/EN 1.4401 (AISI 316)	VER
-	LV1030T	Motor casing in stainless steel and pump in cast iron	Stainless steel	In oil	PGA-MR-O	DIN/EN 1.4401 (AISI 316)	VER
LV1045	-	Motor casing in stainless steel and pump in cast iron	Stainless steel	In oil	PGA-MR-O	DIN/EN 1.4401 (AISI 316)	HOR
LV1050-4	-	Motor casing and pump in cast iron	Cast iron	In oil	KK	DIN/EN 1.4005 (AISI 416)	HOR/VER
-	LV1050-4T	Motor casing and pump in cast iron	Cast iron	In oil	KK	DIN/EN 1.4005 (AISI 416)	HOR/VER
LV1070-4	-	Motor casing and pump in cast iron	Cast iron	In oil	KK	DIN/EN 1.4021 (AISI 420)	HOR
-	LV1070-4T	Motor casing and pump in cast iron	Cast iron	In oil	KK	DIN/EN 1.4021 (AISI 420)	HOR
LV120A	-	Motor casing and pump in cast iron	Cast iron	Dry	PKK-MR-O	DIN/EN 1.4021 (AISI 420)	HOR
-	LV120AT	Motor casing and pump in cast iron	Cast iron	Dry	PKK-MR-O	DIN/EN 1.4021 (AISI 420)	HOR
LV1200	-	Motor casing and pump in cast iron	Cast iron	In oil	KK	DIN/EN 1.4005 (AISI 416)	HOR/VER
-	LV1200T	Motor casing and pump in cast iron	Cast iron	In oil	KK	DIN/EN 1.4005 (AISI 416)	HOR/VER
LV1203	-	Motor casing and pump in cast iron	Cast iron	Dry	PKK-MR-O	DIN/EN 1.4021 (AISI 420)	HOR
-	LV1203T	Motor casing and pump in cast iron	Cast iron	Dry	PKK-MR-O	DIN/EN 1.4021 (AISI 420)	HOR
LV1505	-	Motor casing and pump in cast iron	Cast iron	In oil	KK	DIN/EN 1.4005 (AISI 416)	HOR/VER
-	LV1505T	Motor casing and pump in cast iron	Cast iron	In oil	KK	DIN/EN 1.4005 (AISI 416)	HOR/VER
LV1508	-	Motor casing and pump in cast iron	Cast iron	Dry	PKK-MR-O	DIN/EN 1.4021 (AISI 420)	HOR
-	LV1508T	Motor casing and pump in cast iron	Cast iron	Dry	PKK-MR-O	DIN/EN 1.4021 (AISI 420)	HOR
LV1521	-	Motor casing and pump in cast iron	Cast iron	Dry	PKK-MGA-O	DIN/EN 1.4021 (AISI 420)	HOR
-	LV1521T	Motor casing and pump in cast iron	Cast iron	Dry	PKK-MGA-O	DIN/EN 1.4021 (AISI 420)	HOR
LV1525	-	Motor casing and pump in stainless steel	Stainless steel	In oil	PGA-MR-O	DIN/EN 1.4401 (AISI 316)	HOR
-	LV1525T	Motor casing and pump in stainless steel	Stainless steel	In oil	PGA-MR-O	DIN/EN 1.4401 (AISI 316)	HOR
LV1531	-	Motor casing and pump in cast iron	Cast iron	Dry	PKK-MGA-O	DIN/EN 1.4021 (AISI 420)	HOR
-	LV1531T	Motor casing and pump in cast iron	Cast iron	Dry	PKK-MGA-O	DIN/EN 1.4021 (AISI 420)	HOR
LV1540	-	Motor casing in stainless steel and pump in cast iron	Stainless steel	In oil	PGA-MR-O	DIN/EN 1.4401 (AISI 316)	VER
-	LV1540T	Motor casing in stainless steel and pump in cast iron	Stainless steel	In oil	PGA-MR-O	DIN/EN 1.4401 (AISI 316)	VER
-	LV1541-4T	Motor casing and pump in cast iron	Cast iron	Dry	PKK-MGA-O	DIN/EN 1.4021 (AISI 420)	HOR
-	LV1551-4T	Motor casing and pump in cast iron	Cast iron	Dry	PKK-MGA-O	DIN/EN 1.4021 (AISI 420)	HOR
LV1555	-	Motor casing and pump in cast iron	Cast iron	In oil	PKK-MGA-O	DIN/EN 1.4301 (AISI 304)	HOR
-	LV1555T	Motor casing and pump in cast iron	Cast iron	In oil	PKK-MGA-O	DIN/EN 1.4301 (AISI 304)	HOR
LV1565-4	-	Motor casing and pump in cast iron	Cast iron	In oil	KK	DIN/EN 1.4021 (AISI 420)	HOR
-	LV1565-4T	Motor casing and pump in cast iron	Cast iron	In oil	KK	DIN/EN 1.4021 (AISI 420)	HOR
-	LV1566-4T	Motor casing and pump in cast iron	Cast iron	Dry	PKK-MGA-O	DIN/EN 1.4021 (AISI 420)	HOR
LV1570-4	-	Motor casing and pump in cast iron	Cast iron	In oil	KK	DIN/EN 1.4005 (AISI 416)	HOR/VER
-	LV1570-4T	Motor casing and pump in cast iron	Cast iron	In oil	KK	DIN/EN 1.4005 (AISI 416)	HOR/VER
LV2010	-	Motor casing and pump in cast iron	Cast iron	In oil	KK	DIN/EN 1.4005 (AISI 416)	HOR/VER
-	LV2010T	Motor casing and pump in cast iron	Cast iron	In oil	KK	DIN/EN 1.4005 (AISI 416)	HOR/VER
-	LV2015-4T	Motor casing and pump in cast iron	Cast iron	Dry	PKK-MGA-O	DIN/EN 1.4021 (AISI 420)	HOR
-	LV2020T	Motor casing and pump in stainless steel	Stainless steel	In oil	PGA-MR-O	DIN/EN 1.4401 (AISI 316)	HOR
-	LV2025T	Motor casing in stainless steel and pump in cast iron	Stainless steel	In oil	PGA-MR-O	DIN/EN 1.4401 (AISI 316)	VER
LV2040-4	-	Motor casing and pump in cast iron	Cast iron	Dry	PKK-MGA-O	DIN/EN 1.4021 (AISI 420)	HOR
-	LV2040-4T	Motor casing and pump in cast iron	Cast iron	Dry	PKK-MGA-O	DIN/EN 1.4021 (AISI 420)	HOR
-	LV2045-4T	Motor casing and pump in cast iron	Cast iron	In oil	KK	DIN/EN 1.4021 (AISI 420)	HOR
LV2050	-	Motor casing and pump in cast iron	Cast iron	In oil	PKK-MGA-O	DIN/EN 1.4301 (AISI 304)	HOR
-	LV2050T	Motor casing and pump in cast iron	Cast iron	In oil	PKK-MGA-O	DIN/EN 1.4301 (AISI 304)	HOR
-	LV2051-4T	Motor casing and pump in cast iron	Cast iron	Dry	PKK-MGA-O	DIN/EN 1.4021 (AISI 420)	HOR
LV2055-4	-	Motor casing and pump in cast iron	Cast iron	Dry	PKK-MGA-O	DIN/EN 1.4021 (AISI 420)	HOR
-	LV2055-4T	Motor casing and pump in cast iron	Cast iron	Dry	PKK-MGA-O	DIN/EN 1.4021 (AISI 420)	HOR
-	LV2065-4T	Motor casing and pump in cast iron	Cast iron	In oil	PKK-MGA-O	DIN/EN 1.4301 (AISI 304)	HOR
LV2070-4	-	Motor casing and pump in cast iron	Cast iron	Dry	PKK-MGA-O	DIN/EN 1.4021 (AISI 420)	HOR
-	LV2070-4T	Motor casing and pump in cast iron	Cast iron	Dry	PKK-MGA-O	DIN/EN 1.4021 (AISI 420)	HOR
-	LV2075-4T	Motor casing and pump in cast iron	Cast iron	In oil	PKK-MGA-O	DIN/EN 1.4021 (AISI 420)	HOR
-	LV2085-4T	Motor casing and pump in cast iron	Cast iron	In oil	PKK-MGA-O	DIN/EN 1.4021 (AISI 420)	HOR
LV2090-4	-	Motor casing and pump in cast iron	Cast iron	Dry	PKK-MGA-O	DIN/EN 1.4021 (AISI 420)	HOR
-	LV2090-4T	Motor casing and pump in cast iron	Cast iron	Dry	PKK-MGA-O	DIN/EN 1.4021 (AISI 420)	HOR
-	LV2501T	Motor casing and pump in cast iron	Cast iron	Dry	PKK-MGA-O	DIN/EN 1.4021 (AISI 420)	HOR
-	LV2506T	Motor casing and pump in cast iron	Cast iron	Dry	PKK-MGA-O	DIN/EN 1.4021 (AISI 420)	HOR
-	LV2510-4T	Motor casing and pump in cast iron	Cast iron	Dry	PKK-MGA-O	DIN/EN 1.4021 (AISI 420)	HOR
-	LV2530-4T	Motor casing and pump in cast iron	Cast iron	Dry	PKK-MGA-O	DIN/EN 1.4021 (AISI 420)	HOR
-	LV2545-4T	Motor casing and pump in cast iron	Cast iron	Dry	PKK-MGA-O	DIN/EN 1.4021 (AISI 420)	HOR
-	LV2556-4T	Motor casing and pump in cast iron	Cast iron	Dry	PKK-MGA-O	DIN/EN 1.4021 (AISI 420)	HOR
-	LV2558-4T	Motor casing and pump in cast iron	Cast iron	Dry	PKK-MGA-O	DIN/EN 1.4021 (AISI 420)	HOR
-	LV2575-4T	Motor casing and pump in cast iron	Cast iron	Dry	PKK-MGA-O	DIN/EN 1.4021 (AISI 420)	HOR
-	LV2578-4T	Motor casing and pump in cast iron	Cast iron	Dry	PKK-MGA-O	DIN/EN 1.4021 (AISI 420)	HOR
-	LV3012T	Motor casing and pump in cast iron	Cast iron	Dry	PKK-MGA-O	DIN/EN 1.4021 (AISI 420)	HOR
-	LV3015-4T	Motor casing and pump in cast iron	Cast iron	Dry	PKK-MGA-O	DIN/EN 1.4021 (AISI 420)	HOR
-	LV3020T	Motor casing and pump in cast iron	Cast iron	Dry	KK	DIN/EN 1.4021 (AISI 420)	HOR
-	LV3025-4T	Motor casing and pump in cast iron	Cast iron	Dry	PKK-MGA-O	DIN/EN 1.4021 (AISI 420)	HOR
-	LV3026T	Motor casing and pump in cast iron	Cast iron	Dry	PKK-MGA-O	DIN/EN 1.4021 (AISI 420)	HOR

Mechanical seal code:

P: Pump side M: Motor Side  
A: Ceramic G: Carbon graphite  
K: Silicon carbide R: Seal Ring  
O: In oil chamber

HOR/VER: Flanged D.50 not DIN/EN in line + 2" bend



I-36063 Marostica (Vicenza) Italy  
www.valco.eu

**LV-VORTEX Range VALCO BRAND Sewage Wastewater Submersible  
Electric Pumps Liqua™**

Pump and motor construction data  
with limits of use and operating conditions

Materials 2

Types		Pump materials	Impeller material	Motor chamber	Mechanical seal code	Shaft material (pump side) stainless steel	Type of delivery HOR: horizontal VER: vertical
1 PH 230V 50Hz	3 PH 400V 50Hz						
-	LV3035-4T	Motor casing and pump in cast iron	Cast iron	Dry	PKK-MGA-O	DIN/EN 1.4021 (AISI 420)	HOR
-	LV3040T	Motor casing and pump in cast iron	Cast iron	In oil	PKK-MGA-O	DIN/EN 1.4301 (AISI 304)	HOR
-	LV3041-4T	Motor casing and pump in cast iron	Cast iron	Dry	PKK-MGA-O	DIN/EN 1.4021 (AISI 420)	HOR
-	LV3065-4T	Motor casing and pump in cast iron	Cast iron	Dry	PKK-MGA-O	DIN/EN 1.4021 (AISI 420)	HOR
-	LV3068-4T	Motor casing and pump in cast iron	Cast iron	Dry	PKK-MGA-O	DIN/EN 1.4021 (AISI 420)	HOR
-	LV3073-4T	Motor casing and pump in cast iron	Cast iron	Dry	PKK-MGA-O	DIN/EN 1.4021 (AISI 420)	HOR
-	LV3078-4T	Motor casing and pump in cast iron	Cast iron	Dry	PKK-MGA-O	DIN/EN 1.4021 (AISI 420)	HOR
-	LV3080-4T	Motor casing and pump in cast iron	Cast iron	In oil	PKK-MGA-O	DIN/EN 1.4301 (AISI 304)	HOR
-	LV3098-4T	Motor casing and pump in cast iron	Cast iron	Dry	PKK-MGA-O	DIN/EN 1.4021 (AISI 420)	HOR
-	LV30100-4T	Motor casing and pump in cast iron	Cast iron	In oil	PKK-MGA-O	DIN/EN 1.4021 (AISI 420)	HOR
-	LV3300T	Motor casing and pump in cast iron	Cast iron	Dry	PKK-MGA-O	DIN/EN 1.4021 (AISI 420)	HOR
-	LV3305T	Motor casing and pump in cast iron	Cast iron	Dry	PKK-MGA-O	DIN/EN 1.4021 (AISI 420)	HOR
-	LV3310T	Motor casing and pump in cast iron	Cast iron	Dry	PKK-MGA-O	DIN/EN 1.4021 (AISI 420)	HOR
-	LV4010T	Motor casing and pump in cast iron	Cast iron	In oil	PKK-MGA-O	DIN/EN 1.4301 (AISI 304)	HOR
-	LV4016T	Motor casing and pump in cast iron	Cast iron	Dry	PKK-MGA-O	DIN/EN 1.4021 (AISI 420)	HOR
-	LV4018T	Motor casing and pump in cast iron	Cast iron	Dry	PKK-MGA-O	DIN/EN 1.4021 (AISI 420)	HOR
-	LV4021T	Motor casing and pump in cast iron	Cast iron	Dry	PKK-MGA-O	DIN/EN 1.4021 (AISI 420)	HOR
-	LV4045-4T	Motor casing and pump in cast iron	Cast iron	Dry	PKK-MGA-O	DIN/EN 1.4021 (AISI 420)	HOR
-	LV4055-4T	Motor casing and pump in cast iron	Cast iron	Dry	PKK-MGA-O	DIN/EN 1.4021 (AISI 420)	HOR
-	LV4058-4T	Motor casing and pump in cast iron	Cast iron	Dry	PKK-MGA-O	DIN/EN 1.4021 (AISI 420)	HOR
-	LV4070-4T	Motor casing and pump in cast iron	Cast iron	In oil	PKK-MGA-O	DIN/EN 1.4301 (AISI 304)	HOR
-	LV4073-4T	Motor casing and pump in cast iron	Cast iron	Dry	PKK-MGA-O	DIN/EN 1.4021 (AISI 420)	HOR
-	LV4085-4T	Motor casing and pump in cast iron	Cast iron	In oil	PKK-MGA-O	DIN/EN 1.4301 (AISI 304)	HOR
-	LV40105-4T	Motor casing and pump in cast iron	Cast iron	In oil	PKK-MGA-O	DIN/EN 1.4021 (AISI 420)	HOR
-	LV40108-4T	Motor casing and pump in cast iron	Cast iron	Dry	PKK-MGA-O	DIN/EN 1.4021 (AISI 420)	HOR
-	LV40113-4T	Motor casing and pump in cast iron	Cast iron	Dry	PKK-MGA-O	DIN/EN 1.4021 (AISI 420)	HOR
-	LV5501T	Motor casing and pump in cast iron	Cast iron	Dry	PKK-MGA-O	DIN/EN 1.4021 (AISI 420)	HOR
-	LV5505T	Motor casing and pump in cast iron	Cast iron	In oil	PKK-MGA-O	DIN/EN 1.4301 (AISI 304)	HOR
-	LV5506T	Motor casing and pump in cast iron	Cast iron	Dry	PKK-MGA-O	DIN/EN 1.4021 (AISI 420)	HOR
-	LV5508T	Motor casing and pump in cast iron	Cast iron	Dry	PKK-MGA-O	DIN/EN 1.4021 (AISI 420)	HOR
-	LV5513T	Motor casing and pump in cast iron	Cast iron	Dry	PKK-MGA-O	DIN/EN 1.4021 (AISI 420)	HOR
-	LV5514T	Motor casing and pump in cast iron	Cast iron	Dry	PKK-MGA-O	DIN/EN 1.4021 (AISI 420)	HOR
-	LV5525-4T	Motor casing and pump in cast iron	Cast iron	Dry	PKK-MGA-O	DIN/EN 1.4021 (AISI 420)	HOR
-	LV5533-4T	Motor casing and pump in cast iron	Cast iron	Dry	PKK-MGA-O	DIN/EN 1.4021 (AISI 420)	HOR
-	LV5538-4T	Motor casing and pump in cast iron	Cast iron	Dry	PKK-MGA-O	DIN/EN 1.4021 (AISI 420)	HOR
-	LV5540-4T	Motor casing and pump in cast iron	Cast iron	Dry	PKK-MGA-O	DIN/EN 1.4021 (AISI 420)	HOR
-	LV5555-4T	Motor casing and pump in cast iron	Cast iron	In oil	PKK-MGA-O	DIN/EN 1.4301 (AISI 304)	HOR
-	LV5563-4T	Motor casing and pump in cast iron	Cast iron	Dry	PKK-MGA-O	DIN/EN 1.4021 (AISI 420)	HOR
-	LV7002-4T	Motor casing and pump in cast iron	Cast iron	Dry	PKK-MGA-O	DIN/EN 1.4021 (AISI 420)	HOR
-	LV7003-4T	Motor casing and pump in cast iron	Cast iron	Dry	PKK-MGA-O	DIN/EN 1.4021 (AISI 420)	HOR
-	LV7008-4T	Motor casing and pump in cast iron	Cast iron	Dry	PKK-MGA-O	DIN/EN 1.4021 (AISI 420)	HOR
-	LV750AT	Motor casing and pump in cast iron	Cast iron	Dry	PKK-MGA-O	DIN/EN 1.4021 (AISI 420)	HOR
-	LV7510T	Motor casing and pump in cast iron	Cast iron	In oil	PKK-MGA-O	DIN/EN 1.4301 (AISI 304)	HOR
-	LV7515-4T	Motor casing and pump in cast iron	Cast iron	Dry	PKK-MGA-O	DIN/EN 1.4021 (AISI 420)	HOR
-	LV7535-4T	Motor casing and pump in cast iron	Cast iron	In oil	PKK-MGA-O	DIN/EN 1.4301 (AISI 304)	HOR
-	LV7545-4T	Motor casing and pump in cast iron	Cast iron	Dry	PKK-MGA-O	DIN/EN 1.4021 (AISI 420)	HOR
-	LV7548-4T	Motor casing and pump in cast iron	Cast iron	Dry	PKK-MGA-O	DIN/EN 1.4021 (AISI 420)	HOR
-	LV8005-4T	Motor casing and pump in cast iron	Cast iron	Dry	PKK-MGA-O	DIN/EN 1.4021 (AISI 420)	HOR
-	LV8013-4T	Motor casing and pump in cast iron	Cast iron	Dry	PKK-MGA-O	DIN/EN 1.4021 (AISI 420)	HOR
-	LV9003T	Motor casing and pump in cast iron	Cast iron	Dry	PKK-MGA-O	DIN/EN 1.4021 (AISI 420)	HOR
-	LV9008T	Motor casing and pump in cast iron	Cast iron	Dry	PKK-MGA-O	DIN/EN 1.4021 (AISI 420)	HOR
-	LV9013T	Motor casing and pump in cast iron	Cast iron	Dry	PKK-MGA-O	DIN/EN 1.4021 (AISI 420)	HOR
-	LV9018T	Motor casing and pump in cast iron	Cast iron	Dry	PKK-MGA-O	DIN/EN 1.4021 (AISI 420)	HOR
-	LV9030-4T	Motor casing and pump in cast iron	Cast iron	Dry	PKK-MGA-O	DIN/EN 1.4021 (AISI 420)	HOR
-	LV10A0AT	Motor casing and pump in cast iron	Cast iron	Dry	PKK-MGA-O	DIN/EN 1.4021 (AISI 420)	HOR
-	LV10A05T	Motor casing and pump in cast iron	Cast iron	In oil	PKK-MGA-O	DIN/EN 1.4301 (AISI 304)	HOR
-	LV10A18-4T	Motor casing and pump in cast iron	Cast iron	Dry	PKK-MGA-O	DIN/EN 1.4021 (AISI 420)	HOR
-	LV10A30-4T	Motor casing and pump in cast iron	Cast iron	Dry	PKK-MGA-O	DIN/EN 1.4021 (AISI 420)	HOR
-	LV10A33-4T	Motor casing and pump in cast iron	Cast iron	Dry	PKK-MGA-O	DIN/EN 1.4021 (AISI 420)	HOR
-	LV10A35-4T	Motor casing and pump in cast iron	Cast iron	Dry	PKK-MGA-O	DIN/EN 1.4021 (AISI 420)	HOR
-	LV12B08-4T	Motor casing and pump in cast iron	Cast iron	Dry	PKK-MGA-O	DIN/EN 1.4021 (AISI 420)	HOR
-	LV12B09-4T	Motor casing and pump in cast iron	Cast iron	Dry	PKK-MGA-O	DIN/EN 1.4021 (AISI 420)	HOR
-	LV12B18-4T	Motor casing and pump in cast iron	Cast iron	Dry	PKK-MGA-O	DIN/EN 1.4021 (AISI 420)	HOR
-	LV12B20-4T	Motor casing and pump in cast iron	Cast iron	Dry	PKK-MGA-O	DIN/EN 1.4021 (AISI 420)	HOR
-	LV13A00T	Motor casing and pump in cast iron	Cast iron	Dry	PKK-MGA-O	DIN/EN 1.4021 (AISI 420)	HOR
-	LV13A05T	Motor casing and pump in cast iron	Cast iron	Dry	PKK-MGA-O	DIN/EN 1.4021 (AISI 420)	HOR
-	LV13A10T	Motor casing and pump in cast iron	Cast iron	Dry	PKK-MGA-O	DIN/EN 1.4021 (AISI 420)	HOR
-	LV15A03-4T	Motor casing and pump in cast iron	Cast iron	Dry	PKK-MGA-O	DIN/EN 1.4021 (AISI 420)	HOR
-	LV15A04-4T	Motor casing and pump in cast iron	Cast iron	Dry	PKK-MGA-O	DIN/EN 1.4021 (AISI 420)	HOR
-	LV15A08-4T	Motor casing and pump in cast iron	Cast iron	Dry	PKK-MGA-O	DIN/EN 1.4021 (AISI 420)	HOR
-	LV15A23-4T	Motor casing and pump in cast iron	Cast iron	Dry	PKK-MGA-O	DIN/EN 1.4021 (AISI 420)	HOR
-	LV18A00T	Motor casing and pump in cast iron	Cast iron	Dry	PKK-MGA-O	DIN/EN 1.4021 (AISI 420)	HOR
-	LV18A05T	Motor casing and pump in cast iron	Cast iron	Dry	PKK-MGA-O	DIN/EN 1.4021 (AISI 420)	HOR
-	LV18A15T	Motor casing and pump in cast iron	Cast iron	Dry	PKK-MGA-O	DIN/EN 1.4021 (AISI 420)	HOR
-	LV18A23-4T	Motor casing and pump in cast iron	Cast iron	Dry	PKK-MGA-O	DIN/EN 1.4021 (AISI 420)	HOR
-	LV18A28-4T	Motor casing and pump in cast iron	Cast iron	Dry	PKK-MGA-O	DIN/EN 1.4021 (AISI 420)	HOR
-	LV18A38-4T	Motor casing and pump in cast iron	Cast iron	Dry	PKK-MGA-O	DIN/EN 1.4021 (AISI 420)	HOR
-	LV20A08-4T	Motor casing and pump in cast iron	Cast iron	Dry	PKK-MGA-O	DIN/EN 1.4021 (AISI 420)	HOR
-	LV20A13-4T	Motor casing and pump in cast iron	Cast iron	Dry	PKK-MGA-O	DIN/EN 1.4021 (AISI 420)	HOR
-	LV20A18-4T	Motor casing and pump in cast iron	Cast iron	Dry	PKK-MGA-O	DIN/EN 1.4021 (AISI 420)	HOR
-	LV25A00T	Motor casing and pump in cast iron	Cast iron	Dry	PKK-MGA-O	DIN/EN 1.4021 (AISI 420)	HOR
-	LV25A15-4T	Motor casing and pump in cast iron	Cast iron	Dry	PKK-MGA-O	DIN/EN 1.4021 (AISI 420)	HOR
-	LV25A23-4T	Motor casing and pump in cast iron	Cast iron	Dry	PKK-MGA-O	DIN/EN 1.4021 (AISI 420)	HOR
-	LV30A00T	Motor casing and pump in cast iron	Cast iron	Dry	PKK-MGA-O	DIN/EN 1.4021 (AISI 420)	HOR
-	LV30A05-4T	Motor casing and pump in cast iron	Cast iron	Dry	PKK-MGA-O	DIN/EN 1.4021 (AISI 420)	HOR
-	LV40A00T	Motor casing and pump in cast iron	Cast iron	Dry	PKK-MGA-O	DIN/EN 1.4021 (AISI 420)	HOR
-	LV40A05-4T	Motor casing and pump in cast iron	Cast iron	Dry	PKK-MGA-O	DIN/EN 1.4021 (AISI 420)	HOR
-	LV40A10-4T	Motor casing and pump in cast iron	Cast iron	Dry	PKK-MGA-O	DIN/EN 1.4021 (AISI 420)	HOR
-	LV50A10-4T	Motor casing and pump in cast iron	Cast iron	Dry	PKK-MGA-O	DIN/EN 1.4021 (AISI 420)	HOR

Mechanical seal code:  
P: Pump side M: Motor Side  
A: Ceramic G: Carbon graphite  
K: Silicon carbide R: Seal Ring  
O: In oil chamber

I-36063 Marostica (Vicenza) Italy  
www.valco.eu

**LV-VORTEX Range VALCO BRAND Sewage Wastewater Submersible  
Electric Pumps Liqua™**

Pump and motor construction data  
with limits of use and operating conditions

Dimensions 1

Types		DNm	Poles	Ø max solids in susp. Free passage (mm)	max immersion depth (m)	Cable length (m) H07RN-F	Weight in Kg	Electric pump dimensions in mm LxWxH
1 PH 230V 50Hz	3 PH 400V 50Hz							
LV400	-	1"1/4	2	30	20	10	11	185x150x356
LV80A	-	1"1/2	2	40	20	10	23	203x165x451
-	LV80AT	1"1/2	2	40	20	10	22,5	203x165x451
LV805	-	1"1/2	2	40	5	10	10,5	214x180x358
LV808	-	2"	2	50	20	10	24	239x190x489
-	LV808T	2"	2	50	20	10	24	239x190x489
LV810	-	1"1/2	2	35	5	10	12	230x230x410
-	LV810T	1"1/2	2	35	5	10	12	230x230x410
LV815	-	2"	2	35	5	10	12	230x230x410
-	LV815T	2"	2	35	5	10	12	230x230x410
LV820	-	50	2	35	5	10	14	274x164x367
LV825	-	1"1/2	2	35	5	10	12	232x125x372,5
-	LV825T	1"1/2	2	35	5	10	12	232x125x372,5
LV830	-	1"1/2	2	30	5	10	12	232x125x360,5
LV1015	-	2"	2	50	5	10	11,5	214x180x358
-	LV1015T	2"	2	50	5	10	11,5	214x180x358
LV1020	-	1"1/2	2	35	5	10	13,5	230x230x410
-	LV1020T	1"1/2	2	35	5	10	13,5	230x230x410
LV1025	-	2"	2	35	5	10	13,5	230x230x410
-	LV1025T	2"	2	35	5	10	13,5	230x230x410
LV1026	-	50	2	48	20	10	33,7	279x226x467
-	LV1026T	50	2	48	20	10	33,7	279x226x467
LV1030	-	2"	2	50	5	10	13	232x125x385,5
-	LV1030T	2"	2	50	5	10	13	232x125x385,5
LV1045	-	50	2	50	5	10	16	274x164x367
LV1050-4	-	2"	4	40	20	10	29	344x213x463
-	LV1050-4T	2"	4	40	20	10	29	344x213x463
LV1070-4	-	65	4	60	20	10	38	349x290x552
-	LV1070-4T	65	4	60	20	10	38	349x290x552
LV120A	-	1"1/2	2	40	20	10	24	203x165x451
-	LV120AT	1"1/2	2	40	20	10	24	203x165x451
LV1200	-	2"	2	40	20	10	29	344x213x463
-	LV1200T	2"	2	40	20	10	29	344x213x463
LV1203	-	2"	2	50	20	10	25	239x190x489
-	LV1203T	2"	2	50	20	10	25	239x190x489
LV1505	-	2"	2	40	20	10	29	344x213x463
-	LV1505T	2"	2	40	20	10	29	344x213x463
LV1508	-	2"	2	50	20	10	25,5	239x190x489
-	LV1508T	2"	2	50	20	10	25,5	239x190x489
LV1521	-	65	2	65	20	10	55	344x260x565
-	LV1521T	65	2	65	20	10	55	344x260x565
LV1525	-	2"	2	50	5	10	13,5	214x180x358
-	LV1525T	2"	2	50	5	10	13,5	214x180x358
LV1531	-	50	2	48	20	10	35	279x226x467
-	LV1531T	50	2	48	20	10	35	279x226x467
LV1540	-	2"	2	50	5	10	15	232x125x395,5
-	LV1540T	2"	2	50	5	10	15	232x125x395,5
-	LV1541-4T	65	4	65	20	10	58	344x260x565
-	LV1551-4T	80	4	80	20	10	70	401x321x649
LV1555	-	65	2	50	20	10	40	308x200x551
-	LV1555T	65	2	50	20	10	39	308x200x551
LV1565-4	-	65	4	60	20	10	39	349x290x552
-	LV1565-4T	65	4	60	20	10	39	349x290x552
-	LV1566-4T	50	4	48	20	10	37,7	279x226x467
LV1570-4	-	2"	4	50	20	10	33	360x235x490
-	LV1570-4T	2"	4	50	20	10	33	360x235x490
LV2010	-	2"	2	50	20	10	35	360x235x490
-	LV2010T	2"	2	50	20	10	35	360x235x490
-	LV2015-4T	50	4	50	20	10	50	356x287x508
-	LV2020T	2"	2	50	5	10	13,5	214x180x398
-	LV2025T	2"	2	50	5	10	15	232x125x395,5
LV2040-4	-	50	4	50	20	10	40	280x240x505
-	LV2040-4T	50	4	50	20	10	40	280x240x505
-	LV2045-4T	65	4	60	20	10	40	349x290x552
LV2050	-	65	2	50	20	10	42,5	308x200x551
-	LV2050T	65	2	50	20	10	40	308x200x551
-	LV2051-4T	80	4	80	20	10	74	401x321x649
LV2055-4	-	65	4	60	20	10	45	335x270x530
-	LV2055-4T	65	4	60	20	10	45	335x270x530
-	LV2065-4T	100	4	50	20	10	70,5	395x317x660
LV2070-4	-	65	4	60	20	10	45	335x270x530
-	LV2070-4T	65	4	60	20	10	45	335x270x530
-	LV2075-4T	80	4	80	20	10	62	394x310x650
-	LV2085-4T	100	4	90	20	10	64	394x310x650
LV2090-4	-	50	4	50	20	10	40	280x240x505
-	LV2090-4T	80	4	80	20	10	45	320x270x550
-	LV2501T	50	2	48	20	10	35,7	279x226x467
-	LV2506T	65	2	65	20	10	57	344x260x565
-	LV2510-4T	50	4	50	20	10	50	356x287x508
-	LV2530-4T	65	4	60	20	10	45	335x270x530
-	LV2545-4T	65	4	60	20	10	50	365x300x580
-	LV2556-4T	65	4	65	20	10	62	344x260x565
-	LV2558-4T	80	4	75	20	10	56	365x300x580
-	LV2575-4T	80	4	80	20	10	45	320x270x550
-	LV2578-4T	100	4	90	20	10	66	380x322x600
-	LV3012T	65	2	65	20	10	58	344x260x565
-	LV3015-4T	50	4	50	20	10	50	356x287x508
-	LV3020T	65	2	65	20	10	48	349x290x574
-	LV3025-4T	50	4	50	20	10	50	356x287x508
-	LV3026T	80	2	80	20	10	71	401x321x649



I-36063 Marostica (Vicenza) Italy  
www.valco.eu

**LV-VORTEX Range VALCO BRAND Sewage Wastewater Submersible  
Electric Pumps Liqua™**

Pump and motor construction data  
with limits of use and operating conditions

Dimension 2

Types		DNm	Poles	Ø max solids in susp. Free passage (mm)	max immersion depth (m)	Cable length (m) H07RN-F	Weight in Kg	Electric pump dimensions in mm LxWxH
1 PH 230V 50Hz	3 PH 400V 50Hz							
-	LV3035-4T	65	4	60	20	10	50	365x300x550
-	LV3040T	65	2	50	20	10	42,5	308x200x551
-	LV3041-4T	80	4	80	20	10	76	401x321x649
-	LV3065-4T	65	4	60	20	10	65	377x325x560
-	LV3068-4T	80	4	70	20	10	65	400x370x621
-	LV3073-4T	80	4	75	20	10	56	365x300x580
-	LV3078-4T	80	4	80	20	10	85	412x306x758
-	LV3080-4T	100	4	50	20	10	72,6	395x317x660
-	LV3098-4T	100	4	90	20	10	66	380x322x600
-	LV3100-4T	100	4	90	20	10	65	394x310x650
-	LV3300T	50	2	45	20	10	40	280x240x505
-	LV3305T	65	2	50	20	10	45	335x270x530
-	LV3310T	80	2	70	20	10	45	320x270x550
-	LV4010T	80	2	45	20	10	69,2	370x220x645
-	LV4016T	65	2	65	20	10	62	344x260x565
-	LV4018T	65	2	50	20	10	53	365x300x550
-	LV4021T	80	2	80	20	10	71	401x321x649
-	LV4045-4T	65	4	60	20	10	54	365x300x550
-	LV4055-4T	65	4	60	20	10	69	377x325x560
-	LV4058-4T	80	4	80	20	10	89	412x306x758
-	LV4070-4T	100	4	50	20	10	76	395x317x660
-	LV4073-4T	80	4	75	20	10	56	365x300x580
-	LV4085-4T	80	4	80	20	10	66	394x310x650
-	LV40105-4T	100	4	90	20	10	68	394x310x650
-	LV40108-4T	100	4	90	20	10	70	380x322x600
-	LV40113-4T	100	4	85	20	10	78	425x370x632
-	LV5501T	65	2	55	20	10	80	346x263x668
-	LV5505T	80	2	45	20	10	72,5	370x220x645
-	LV5506T	80	2	80	20	10	103	401x321x749
-	LV5508T	65	2	50	20	10	56	365x300x550
-	LV5513T	80	2	75	20	10	60	365x300x580
-	LV5514T	80	2	75	20	10	60	365x300x580
-	LV5525-4T	65	4	60	20	10	77	377x325x587
-	LV5533-4T	80	4	70	20	10	77	400x370x648
-	LV5538-4T	80	4	70	20	10	77	400x370x648
-	LV5540-4T	65	4	60	20	10	77	377x325x587
-	LV5555-4T	100	4	50	20	10	104	456x371x715
-	LV5563-4T	100	4	85	20	10	86	425x370x659
-	LV7002-4T	80	4	80	20	10	100	412x306x758
-	LV7003-4T	80	4	70	20	10	95	400x370x716
-	LV7008-4T	80	4	70	20	10	95	400x370x716
-	LV750AT	80	2	80	20	10	108	401x321x749
-	LV7510T	80	2	50	20	10	91,5	412x235x725
-	LV7515-4T	65	4	60	20	10	90	377x325x585
-	LV7535-4T	100	4	50	20	10	109	456x371x715
-	LV7545-4T	100	4	100	20	10	118	470x350x1025
-	LV7548-4T	100	4	85	20	10	102	425x370x727
-	LV8005-4T	100	4	85	20	10	120	480x408x719
-	LV8013-4T	150	4	120	20	10	135	565x550x803
-	LV9003T	50	2	40	20	10	85	377x325x645
-	LV9008T	50	2	40	20	10	85	377x325x645
-	LV9013T	65	2	45	20	10	90	377x325x587
-	LV9018T	80	2	75	20	10	98	400x370x716
-	LV9030-4T	100	4	100	20	10	125	470x350x1025
-	LV10A0AT	80	2	80	20	10	110	401x321x749
-	LV10A05T	80	2	50	20	10	93,2	412x235x725
-	LV10A18-4T	80	4	70	20	10	157	480x410x745
-	LV10A30-4T	100	4	100	20	10	136	470x350x1025
-	LV10A33-4T	100	4	85	20	10	151	425x370x763
-	LV10A35-4T	150	4	130	20	10	184	565x550x865
-	LV12B08-4T	80	4	70	20	10	163	480x410x745
-	LV12B09-4T	80	4	70	20	10	163	480x410x745
-	LV12B18-4T	100	4	85	20	10	156	425x370x763
-	LV12B20-4T	150	4	130	20	10	191	565x550x865
-	LV13A00T	50	2	35	20	10	140	399x325x707
-	LV13A05T	65	2	45	20	10	145	399x325x745
-	LV13A10T	80	2	65	20	10	140	400x370x752
-	LV15A03-4T	80	4	70	20	10	168	480x410x745
-	LV15A04-4T	100	4	85	20	10	175	479x408x755
-	LV15A08-4T	100	4	85	20	10	175	479x408x755
-	LV15A23-4T	150	4	120	20	10	196	565x550x865
-	LV18A00T	50	2	35	20	10	140	399x325x707
-	LV18A05T	65	2	45	20	10	145	399x325x745
-	LV18A15T	80	2	65	20	10	140	400x370x752
-	LV18A23-4T	80	4	70	20	10	205	480x410x931
-	LV18A28-4T	100	4	85	20	10	210	479x408x941
-	LV18A38-4T	150	4	120	20	10	220	565x550x1022
-	LV20A08-4T	80	4	70	20	10	205	480x410x931
-	LV20A13-4T	100	4	85	20	10	210	479x408x941
-	LV20A18-4T	150	4	120	20	10	220	565x550x1022
-	LV25A00T	80	2	65	20	10	230	480x410x931
-	LV25A15-4T	100	4	85	20	10	225	480x408x986
-	LV25A23-4T	150	4	120	20	10	230	565x550x1022
-	LV30A00T	80	2	65	20	10	250	480x410x931
-	LV30A05-4T	100	4	85	20	10	350	485x408x986
-	LV40A00T	80	2	65	20	10	340	480x410x976
-	LV40A05-4T	100	4	85	20	10	350	485x408x986
-	LV40A10-4T	150	4	130	20	10	360	565x550x1072
-	LV50A10-4T	150	4	120	20	10	550	760x720x1300

I-36063 Marostica (Vicenza) Italy  
www.valco.eu

**LV-VORTEX Range VALCO BRAND Sewage Wastewater Submersible Electric Pumps Liqua™**

Pump and motor construction data  
with limits of use and operating conditions

**Coupling device 1**

Types		Coupling device type
1 PH 230V 50Hz	3 PH 400V 50Hz	
LV400	-	TH IN LINE
LV80A	-	TH IN LINE
-	LV80AT	TH IN LINE
LV80S	-	TH IN LINE
LV808	-	FL IN LINE
-	LV808T	FL IN LINE
LV810	-	NOT PROVIDED
-	LV810T	NOT PROVIDED
LV815	-	NOT PROVIDED
-	LV815T	NOT PROVIDED
LV820	-	FL IN LINE
LV825	-	NOT PROVIDED
-	LV825T	NOT PROVIDED
LV830	-	NOT PROVIDED
LV1015	-	TH IN LINE
-	LV1015T	TH IN LINE
LV1020	-	NOT PROVIDED
-	LV1020T	NOT PROVIDED
LV1025	-	NOT PROVIDED
-	LV1025T	NOT PROVIDED
LV1026	-	FL IN LINE
-	LV1026T	FL IN LINE
LV1030	-	NOT PROVIDED
-	LV1030T	NOT PROVIDED
LV1045	-	FL IN LINE
LV1050-4	-	FL IN LINE
-	LV1050-4T	FL IN LINE
LV1070-4	-	FL BEND
-	LV1070-4T	FL BEND
LV120A	-	TH IN LINE
-	LV120AT	TH IN LINE
LV1200	-	FL IN LINE
-	LV1200T	FL IN LINE
LV1203	-	FL IN LINE
-	LV1203T	FL IN LINE
LV1505	-	FL IN LINE
-	LV1505T	FL IN LINE
LV1508	-	FL IN LINE
-	LV1508T	FL IN LINE
LV1521	-	FL IN LINE
-	LV1521T	FL IN LINE
LV1525	-	TH IN LINE
-	LV1525T	TH IN LINE
LV1531	-	FL IN LINE
-	LV1531T	FL IN LINE
LV1540	-	NOT PROVIDED
-	LV1540T	NOT PROVIDED
-	LV1541-4T	FL IN LINE
-	LV1551-4T	FL BEND
LV1555	-	FL BEND
-	LV1555T	FL BEND
LV1565-4	-	FL BEND
-	LV1565-4T	FL BEND
-	LV1566-4T	FL IN LINE
LV1570-4	-	FL IN LINE
-	LV1570-4T	FL IN LINE
LV2010	-	FL IN LINE
-	LV2010T	FL IN LINE
-	LV2015-4T	FL BEND
-	LV2020T	TH IN LINE
-	LV2025T	NOT PROVIDED
LV2040-4	-	FL IN LINE
-	LV2040-4T	FL IN LINE
-	LV2045-4T	FL BEND
LV2050	-	FL BEND
-	LV2050T	FL BEND
-	LV2051-4T	FL BEND
LV2055-4	-	FL BEND-FL IN LINE
-	LV2055-4T	FL BEND-FL IN LINE
-	LV2065-4T	FL BEND
LV2070-4	-	FL BEND-FL IN LINE
-	LV2070-4T	FL BEND-FL IN LINE
-	LV2075-4T	FL BEND
-	LV2085-4T	FL BEND
LV2090-4	-	FL BEND-FL IN LINE
-	LV2090-4T	FL BEND-FL IN LINE
-	LV2501T	FL IN LINE
-	LV2506T	FL IN LINE
-	LV2510-4T	FL BEND
-	LV2530-4T	FL BEND-FL IN LINE
-	LV2545-4T	FL BEND-FL IN LINE
-	LV2556-4T	FL IN LINE
-	LV2558-4T	FL BEND-FL IN LINE
-	LV2575-4T	FL BEND-FL IN LINE
-	LV2578-4T	FL BEND
-	LV3012T	FL IN LINE
-	LV3015-4T	FL BEND
-	LV3020T	FL BEND
-	LV3025-4T	FL BEND
-	LV3026T	FL BEND



FL IN LINE: Autocoupling device flanged in line  
 FL BEND: Autocoupling device flanged with 90° bend  
 TH IN LINE: Autocoupling device threaded in line  
 TH BEND: Autocoupling device threaded with 90° bend

All the coupling device are made in cast iron

Supplied as standard: Coupling foot, slide coupling flange and screws, upper support

Optional on demand with overprice: counter flanges for coupling devices, chains, gaskets, anchors, screws.

I-36063 Marostica (Vicenza) Italy  
www.valco.eu

**LV-VORTEX Range VALCO BRAND Sewage Wastewater Submersible  
Electric Pumps Liqua™**

Pump and motor construction data  
with limits of use and operating conditions

**Coupling device 2**

Types		Coupling device type
1 PH 230V 50Hz	3 PH 400V 50Hz	
-	LV3035-4T	FL BEND-FL IN LINE
-	LV3040T	FL BEND
-	LV3041-4T	FL BEND
-	LV3065-4T	FL BEND
-	LV3068-4T	FL BEND
-	LV3073-4T	FL BEND-FL IN LINE
-	LV3078-4T	FL BEND
-	LV3080-4T	FL BEND
-	LV3098-4T	FL BEND
-	LV30100-4T	FL BEND
-	LV3300T	FL IN LINE
-	LV3305T	FL BEND-FL IN LINE
-	LV3310T	FL BEND-FL IN LINE
-	LV4010T	FL BEND
-	LV4016T	FL IN LINE
-	LV4018T	FL BEND-FL IN LINE
-	LV4021T	FL BEND
-	LV4045-4T	FL BEND-FL IN LINE
-	LV4055-4T	FL BEND
-	LV4058-4T	FL BEND
-	LV4070-4T	FL BEND
-	LV4073-4T	FL BEND-FL IN LINE
-	LV4085-4T	FL BEND
-	LV40105-4T	FL BEND
-	LV40108-4T	FL BEND
-	LV40113-4T	FL BEND
-	LV5501T	FL IN LINE
-	LV5505T	FL BEND
-	LV5506T	FL BEND
-	LV5508T	FL BEND-FL IN LINE
-	LV5513T	FL BEND-FL IN LINE
-	LV5514T	FL BEND-FL IN LINE
-	LV5525-4T	FL BEND
-	LV5533-4T	FL BEND
-	LV5538-4T	FL BEND
-	LV5540-4T	FL BEND
-	LV5555-4T	FL BEND
-	LV5563-4T	FL BEND
-	LV7002-4T	FL BEND
-	LV7003-4T	FL BEND
-	LV7008-4T	FL BEND
-	LV750AT	FL BEND
-	LV7510T	FL BEND
-	LV7515-4T	FL BEND
-	LV7535-4T	FL BEND
-	LV7545-4T	FL BEND
-	LV7548-4T	FL BEND
-	LV8005-4T	FL BEND
-	LV8013-4T	FL BEND
-	LV9003T	FL BEND
-	LV9008T	FL BEND
-	LV9013T	FL BEND
-	LV9018T	FL BEND
-	LV9030-4T	FL BEND
-	LV10A0AT	FL BEND
-	LV10A05T	FL BEND
-	LV10A18-4T	FL BEND
-	LV10A30-4T	FL BEND
-	LV10A33-4T	FL BEND
-	LV10A35-4T	FL BEND
-	LV12B08-4T	FL BEND
-	LV12B09-4T	FL BEND
-	LV12B18-4T	FL BEND
-	LV12B20-4T	FL BEND
-	LV13A00T	FL BEND
-	LV13A05T	FL BEND
-	LV13A10T	FL BEND
-	LV15A03-4T	FL BEND
-	LV15A04-4T	FL BEND
-	LV15A08-4T	FL BEND
-	LV15A23-4T	FL BEND
-	LV18A00T	FL BEND
-	LV18A05T	FL BEND
-	LV18A15T	FL BEND
-	LV18A23-4T	FL BEND
-	LV18A28-4T	FL BEND
-	LV18A38-4T	FL BEND
-	LV20A08-4T	FL BEND
-	LV20A13-4T	FL BEND
-	LV20A18-4T	FL BEND
-	LV25A00T	FL BEND
-	LV25A15-4T	FL BEND
-	LV25A23-4T	FL BEND
-	LV30A00T	FL BEND
-	LV30A05-4T	FL BEND
-	LV40A00T	FL BEND
-	LV40A05-4T	FL BEND
-	LV40A10-4T	FL BEND
-	LV50A10-4T	FL BEND



FL IN LINE: Autocoupling device flanged in line  
 FL BEND: Autocoupling device flanged with 90° bend  
 TH IN LINE: Autocoupling device threaded in line  
 TH BEND: Autocoupling device threaded with 90° bend

All the coupling device are made in cast iron

Supplied as standard: Coupling foot, slide coupling flange and screws, upper support

Optional on demand with overprice: counter flanges for coupling devices, chains, gaskets, anchors, screws.

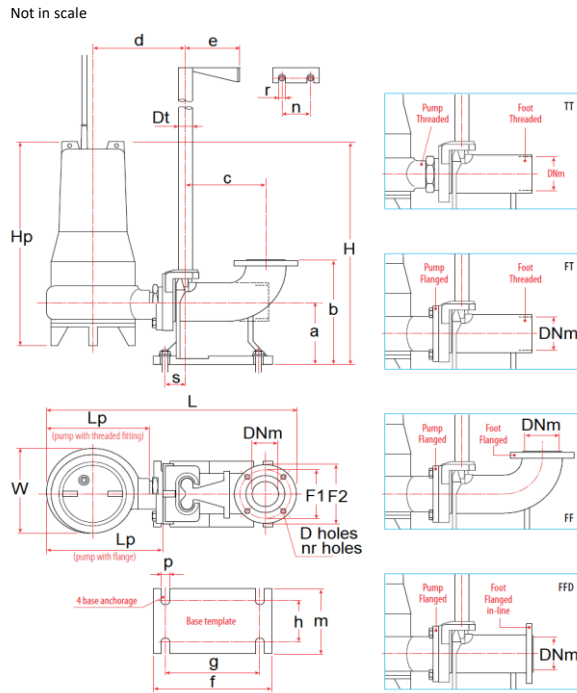




I-36063 Marostica (Vicenza) Italy  
www.valco.eu

**LV-VORTEX Range VALCO BRAND Sewage Wastewater Submersible  
Electric Pumps Liqua™**

Pump and motor construction data  
with limits of use and operating conditions



**Legenda**

- AC = TYPES OF AUTOCLIPPING DEVICES  
 TT= Pump threaded - Foot threaded  
 FF= Pump flanged - Foot flanged  
 FT= Pump flanged - Foot threaded  
 FFL= Pump flanged - Foot flanged wider guides  
 WF= Without foot  
 WFV= Without foot - Top delivery  
 nd=not available  
 na=non applicable



FL BEND: Autocoupling device flanged with 90° bend



TH IN LINE: Autocoupling device threaded in line



**Sewage Wastewater Submersible Electric Pumps single, double channel  
Impellers, heavy duty, made in cast iron or stainless steel, non-clogging, suitable for  
animal breeding plants, tanneries, large drainage and agricultural systems, treatment  
plants. - Liqua™**

#### Applications

Suitable for domestic, residential, industrial, agricultural and civil drainage and wastewater sewage uses: dewatering; sump drainage, effluent and sewage; ponds, construction, mines, reclamation, swimming pools, basements and flooded areas, stormwaters, irrigation, stock breeding, food beverage, for waste, sewage and washwater for single and several households and public buildings, for building sites also partially dry, for continuous and heavy duties for most types of fluids also with bodies in suspension in water treatment plants, brackish waters, dirty waters, sludge, industrial processes, etc.







I-36063 Marostica (Vicenza) Italy  
www.valco.eu

**LC -CHANNEL Range VALCO BRAND Sewage Wastewater  
Submersible Electric Pumps Liqua™**

Pump and motor construction data  
with limits of use and operating conditions

**OPERATING CONDITIONS (LIMITS OF USE)**

Maximum temperature of pumped liquid °C	0 +35
pH of pumped liquid	6 - 10
Density of pumped liquid with $\gamma$ =water specific gravity kg/dm <sup>3</sup>	1
Installation type	Submerged

**MOTOR**

Asynchronous Electric motor	
Insulation class	F
Degree of protection IP	68
Service	Continuous duty
Maximum tolerance (fluctuation) from the nominal voltage	±6%
Starts per hour max	30 up to 2,2 kW. 20 up to 4 kW, 10 from 5,5 kW and above.

3phase version the overload motor protection must be provided by the user (we recommend the use of a control box)

**1phase version**

Built in overload protection and capacitor for types LC1010, LC1015, LC1525 and LC1530.

Built in overload protection and external capacitor in control box for types LC1000, LC1505 and LC2015.

Overload protection and capacitor must be provided by the user (we recommend the use of a control box) for types LC1510 and LC2005

Optional on demand with overprice float switch. For types LC1510 and LC2005 it must be connected in the control box.

I-36063 Marostica (Vicenza) Italy  
www.valco.eu

**LC-CHANNEL Range VALCO BRAND Sewage Wastewater  
Submersible Electric Pumps Liqua™**

Pump and motor construction data  
with limits of use and operating conditions

Types		Pump materials	Impeller material	Impeller type code	Wear plate	Motor chamber	Mechanical seal code	Shaft material (pump side) stainless steel
1 PH 230V 50Hz	3 PH 400V 50Hz							
LC1000	-	Motor casing and pump in cast iron (1)	Cast iron	SC	Cast iron	In oil	KK	DIN/EN 1.4005 (AISI 416)
-	LC1000T	Motor casing and pump in cast iron (1)	Cast iron	SC	Cast iron	In oil	KK	DIN/EN 1.4005 (AISI 416)
LC1010	-	Motor casing and pump in stainless steel	Stainless steel	DC	Stainless steel	In oil	PGA-MR-O	DIN/EN 1.4401 (AISI 316)
-	LC1010T	Motor casing and pump in stainless steel	Stainless steel	DC	Stainless steel	In oil	PGA-MR-O	DIN/EN 1.4401 (AISI 316)
LC1015	-	Motor casing in stainless steel and pump in cast iron	Cast iron	DC	Cast iron	In oil	PGA-MR-O	DIN/EN 1.4401 (AISI 316)
-	LC1015T	Motor casing in stainless steel and pump in cast iron	Cast iron	DC	Cast iron	In oil	PGA-MR-O	DIN/EN 1.4401 (AISI 316)
LC1505	-	Motor casing and pump in cast iron (1)	Cast iron	SC	Cast iron	In oil	KK	DIN/EN 1.4005 (AISI 416)
-	LC1505T	Motor casing and pump in cast iron (1)	Cast iron	SC	Cast iron	In oil	KK	DIN/EN 1.4005 (AISI 416)
LC1510	-	Motor casing and pump in cast iron	Cast iron	SC	Cast iron	In oil	PKK-MGA-O	DIN/EN 1.4301 (AISI 304)
-	LC1510T	Motor casing and pump in cast iron	Cast iron	SC	Cast iron	In oil	PKK-MGA-O	DIN/EN 1.4301 (AISI 304)
LC1525	-	Motor casing and pump in stainless steel	Stainless steel	DC	Stainless steel	In oil	PGA-MR-O	DIN/EN 1.4401 (AISI 316)
-	LC1525T	Motor casing and pump in stainless steel	Stainless steel	DC	Stainless steel	In oil	PGA-MR-O	DIN/EN 1.4401 (AISI 316)
LC1530	-	Motor casing in stainless steel and pump in cast iron	Cast iron	DC	Cast iron	In oil	PGA-MR-O	DIN/EN 1.4401 (AISI 316)
-	LC1530T	Motor casing in stainless steel and pump in cast iron	Cast iron	DC	Cast iron	In oil	PGA-MR-O	DIN/EN 1.4401 (AISI 316)
LC2005	-	Motor casing and pump in cast iron	Cast iron	SC	Cast iron	In oil	PKK-MGA-O	DIN/EN 1.4301 (AISI 304)
-	LC2005T	Motor casing and pump in cast iron	Cast iron	SC	Cast iron	In oil	PKK-MGA-O	DIN/EN 1.4301 (AISI 304)
LC2015	-	Motor casing and pump in cast iron (1)	Cast iron	SC	Cast iron	In oil	KK	DIN/EN 1.4005 (AISI 416)
-	LC2015T	Motor casing and pump in cast iron (1)	Cast iron	SC	Cast iron	In oil	KK	DIN/EN 1.4005 (AISI 416)
-	LC2025T	Motor casing in stainless steel and pump in cast iron	Cast iron	DC	Cast iron	In oil	PGA-MR-O	DIN/EN 1.4401 (AISI 316)
-	LC2030T	Motor casing and pump in stainless steel	Stainless steel	DC	Stainless steel	In oil	PGA-MR-O	DIN/EN 1.4401 (AISI 316)
-	LC2040-4T	Motor casing and pump in cast iron	Cast iron	SA	Cast iron	In oil	PKK-MGA-O	DIN/EN 1.4021 (AISI 420)
-	LC2045-4T	Motor casing and pump in cast iron	Cast iron	SA	Cast iron	In oil	PKK-MGA-O	DIN/EN 1.4021 (AISI 420)
-	LC2050-4T	Motor casing and pump in cast iron	Cast iron	SA	Cast iron	In oil	PKK-MGA-O	DIN/EN 1.4301 (AISI 304)
-	LC2057-4T	Motor casing and pump in cast iron	Cast iron	DA(2)	Cast iron	Dry	PKK-MGA-O	DIN/EN 1.4021 (AISI 420)
-	LC3000T	Motor casing and pump in cast iron	Cast iron	SC	Cast iron	In oil	PKK-MGA-O	DIN/EN 1.4301 (AISI 304)
-	LC3010T	Motor casing and pump in cast iron	Cast iron	SC	Cast iron	In oil	PKK-MGA-O	DIN/EN 1.4021 (AISI 420)
-	LC3015T	Motor casing in stainless steel and pump in cast iron	Cast iron	SC	Cast iron	In oil	PKA-MGA-O	DIN/EN 1.4401 (AISI 316)
-	LC3020T	Motor casing and pump in cast iron	Cast iron	SC	Cast iron	In oil	PKK-MR-O	DIN/EN 1.4021 (AISI 420)
-	LC3022T	Motor casing and pump in stainless steel	Stainless steel	SA	Stainless steel	In oil	PKA-MGA-O	DIN/EN 1.4401 (AISI 316)
-	LC3035-4T	Motor casing and pump in cast iron	Cast iron	SA	Cast iron	In oil	PKK-MGA-O	DIN/EN 1.4021 (AISI 420)
-	LC3040-4T	Motor casing and pump in cast iron	Cast iron	SC	Cast iron	Dry	PKK-MR-O	DIN/EN 1.4021 (AISI 420)
-	LC3050-4T	Motor casing and pump in cast iron	Cast iron	SA	Cast iron	In oil	PKK-MGA-O	DIN/EN 1.4301 (AISI 304)
-	LC3052-4T	Motor casing and pump in cast iron	Cast iron	DA(2)	Cast iron	Dry	PKK-MGA-O	DIN/EN 1.4021 (AISI 420)
-	LC3057-4T	Motor casing and pump in cast iron	Cast iron	DA(2)	Cast iron	Dry	PKK-MGA-O	DIN/EN 1.4021 (AISI 420)
-	LC3068-4T	Motor casing and pump in cast iron	Cast iron	DA(2)	Cast iron	Dry	PKK-MGA-O	DIN/EN 1.4021 (AISI 420)
-	LC3069-4T	Motor casing and pump in cast iron	Cast iron	DA(2)	Cast iron	Dry	PKK-MGA-O	DIN/EN 1.4021 (AISI 420)
-	LC4005T	Motor casing in stainless steel and pump in cast iron	Cast iron	SC	Cast iron	In oil	PKA-MGA-O	DIN/EN 1.4401 (AISI 316)
-	LC4007T	Motor casing and pump in stainless steel	Stainless steel	SA	Stainless steel	In oil	PKA-MGA-O	DIN/EN 1.4401 (AISI 316)
-	LC4009T	Motor casing and pump in cast iron	Cast iron	SC	Cast iron	In oil	PKK-MGA-O	DIN/EN 1.4301 (AISI 304)
-	LC4015T	Motor casing and pump in cast iron	Cast iron	SA	Cast iron	In oil	PKK-MGA-O	DIN/EN 1.4021 (AISI 420)
-	LC4020-4T	Motor casing and pump in cast iron	Cast iron	SA	Cast iron	In oil	PKK-MGA-O	DIN/EN 1.4021 (AISI 420)
-	LC4022-4T	Motor casing and pump in cast iron	Cast iron	DA(2)	Cast iron	Dry	PKK-MGA-O	DIN/EN 1.4021 (AISI 420)
-	LC4035-4T	Motor casing and pump in cast iron	Cast iron	SA	Cast iron	In oil	PKK-MGA-O	DIN/EN 1.4301 (AISI 304)
-	LC4045-4T	Motor casing and pump in cast iron	Cast iron	SC	Cast iron	Dry	PKK-MR-O	DIN/EN 1.4021 (AISI 420)
-	LC4050-4T	Motor casing and pump in cast iron	Cast iron	SA	Cast iron	In oil	PKK-MGA-O	DIN/EN 1.4021 (AISI 420)
-	LC4052-4T	Motor casing and pump in cast iron	Cast iron	DA(2)	Cast iron	Dry	PKK-MGA-O	DIN/EN 1.4021 (AISI 420)
-	LC4057-4T	Motor casing and pump in cast iron	Cast iron	DA(2)	Cast iron	Dry	PKK-MGA-O	DIN/EN 1.4021 (AISI 420)
-	LC500CT	Motor casing and pump in cast iron	Cast iron	SC	Cast iron	In oil	PKK-MGA-O	DIN/EN 1.4301 (AISI 304)
-	LC5517-4T	Motor casing and pump in cast iron	Cast iron	DA(2)	Cast iron	Dry	PKK-MGA-O	DIN/EN 1.4021 (AISI 420)
-	LC5520-4T	Motor casing and pump in cast iron	Cast iron	SA	Cast iron	In oil	PKK-MGA-O	DIN/EN 1.4301 (AISI 304)
-	LC5522-4T	Motor casing and pump in cast iron	Cast iron	DA(2)	Cast iron	Dry	PKK-MGA-O	DIN/EN 1.4021 (AISI 420)
-	LC6000T	Motor casing in stainless steel and pump in cast iron	Cast iron	SC	Cast iron	In oil	PKA-MGA-O	DIN/EN 1.4401 (AISI 316)
-	LC7506-4T	Motor casing and pump in cast iron	Cast iron	DA(2)	Cast iron	Dry	PKK-MGA-O	DIN/EN 1.4021 (AISI 420)
-	LC7508-4T	Motor casing and pump in cast iron	Cast iron	DA(2)	Cast iron	Dry	PKK-MGA-O	DIN/EN 1.4021 (AISI 420)
-	LC7510-4T	Motor casing and pump in cast iron	Cast iron	SA	Cast iron	In oil	PKK-MGA-O	DIN/EN 1.4301 (AISI 304)
-	LC7512-4T	Motor casing and pump in cast iron	Cast iron	DA(2)	Cast iron	Dry	PKK-MGA-O	DIN/EN 1.4021 (AISI 420)
-	LC7513-4T	Motor casing and pump in cast iron	Cast iron	DA(2)	Cast iron	Dry	PKK-MGA-O	DIN/EN 1.4021 (AISI 420)
-	LC80A0-4T	Motor casing and pump in cast iron	Cast iron	DA(2)	Cast iron	Dry	PKK-MGA-O	DIN/EN 1.4021 (AISI 420)
-	LC9000-4T	Motor casing and pump in cast iron	Cast iron	SC	Cast iron	Dry	PKA-MGA-O	DIN/EN 1.4021 (AISI 420)
-	LC10A00T	Motor casing and pump in cast iron	Cast iron	SA	Cast iron	In oil	PKK-MGA-O	DIN/EN 1.4301 (AISI 304)
-	LC10A18-4T	Motor casing and pump in cast iron	Cast iron	DA(2)	Cast iron	Dry	PKK-MGA-O	DIN/EN 1.4021 (AISI 420)
-	LC10A21-4T	Motor casing and pump in cast iron	Cast iron	DA(2)	Cast iron	Dry	PKK-MGA-O	DIN/EN 1.4021 (AISI 420)
-	LC10A27-4T	Motor casing and pump in cast iron	Cast iron	DA(2)	Cast iron	Dry	PKK-MGA-O	DIN/EN 1.4021 (AISI 420)
-	LC10A42-4T	Motor casing and pump in cast iron	Cast iron	DA(2)	Cast iron	Dry	PKK-MGA-O	DIN/EN 1.4021 (AISI 420)
-	LC12A05-4T	Motor casing and pump in cast iron	Cast iron	SC	Cast iron	Dry	PKA-MGA-O	DIN/EN 1.4021 (AISI 420)
-	LC12B01-4T	Motor casing and pump in cast iron	Cast iron	DA(2)	Cast iron	Dry	PKK-MGA-O	DIN/EN 1.4021 (AISI 420)
-	LC12B02-4T	Motor casing and pump in cast iron	Cast iron	DA(2)	Cast iron	Dry	PKK-MGA-O	DIN/EN 1.4021 (AISI 420)
-	LC12B03-4T	Motor casing and pump in cast iron	Cast iron	DA(2)	Cast iron	Dry	PKK-MGA-O	DIN/EN 1.4021 (AISI 420)
-	LC12B04-4T	Motor casing and pump in cast iron	Cast iron	DA(2)	Cast iron	Dry	PKK-MGA-O	DIN/EN 1.4021 (AISI 420)
-	LC12B06-4T	Motor casing and pump in cast iron	Cast iron	DA(2)	Cast iron	Dry	PKK-MGA-O	DIN/EN 1.4021 (AISI 420)
-	LC15A15-4T	Motor casing and pump in cast iron	Cast iron	SC	Cast iron	Dry	PKA-MGA-O	DIN/EN 1.4021 (AISI 420)
-	LC15A1A-4T	Motor casing and pump in cast iron	Cast iron	DA(2)	Cast iron	Dry	PKK-MGA-O	DIN/EN 1.4021 (AISI 420)
-	LC15A16-4T	Motor casing and pump in cast iron	Cast iron	DA(2)	Cast iron	Dry	PKK-MGA-O	DIN/EN 1.4021 (AISI 420)
-	LC15A17-4T	Motor casing and pump in cast iron	Cast iron	DA(2)	Cast iron	Dry	PKK-MGA-O	DIN/EN 1.4021 (AISI 420)
-	LC15A27-4T	Motor casing and pump in cast iron	Cast iron	DA(2)	Cast iron	Dry	PKK-MGA-O	DIN/EN 1.4021 (AISI 420)
-	LC18A05-4T	Motor casing and pump in cast iron	Cast iron	DA(2)	Cast iron	Dry	PKK-MGA-O	DIN/EN 1.4021 (AISI 420)
-	LC20A01-4T	Motor casing and pump in cast iron	Cast iron	DA(2)	Cast iron	Dry	PKK-MGA-O	DIN/EN 1.4021 (AISI 420)
-	LC20A11-4T	Motor casing and pump in cast iron	Cast iron	DA(2)	Cast iron	Dry	PKK-MGA-O	DIN/EN 1.4021 (AISI 420)
-	LC20A12-4T	Motor casing and pump in cast iron	Cast iron	DA(2)	Cast iron	Dry	PKK-MGA-O	DIN/EN 1.4021 (AISI 420)
-	LC25A12-4T	Motor casing and pump in cast iron	Cast iron	DA(2)	Cast iron	Dry	PKK-MGA-O	DIN/EN 1.4021 (AISI 420)
-	LC25A13-4T	Motor casing and pump in cast iron	Cast iron	DA(2)	Cast iron	Dry	PKK-MGA-O	DIN/EN 1.4021 (AISI 420)
-	LC30A07-4T	Motor casing and pump in cast iron	Cast iron	DA(2)	Cast iron	Dry	PKK-MGA-O	DIN/EN 1.4021 (AISI 420)
-	LC30A09-4T	Motor casing and pump in cast iron	Cast iron	DA(2)	Cast iron	Dry	PKK-MGA-O	DIN/EN 1.4021 (AISI 420)
-	LC40AAA-4T	Motor casing and pump in cast iron	Cast iron	DA(2)	Cast iron	Dry	PKK-MGA-O	DIN/EN 1.4021 (AISI 420)
-	LC40AAB-4T	Motor casing and pump in cast iron	Cast iron	DA(2)	Cast iron	Dry	PKK-MGA-O	DIN/EN 1.4021 (AISI 420)
-	LC40AAC-4T	Motor casing and pump in cast iron	Cast iron	DA(2)	Cast iron	Dry	PKK-MGA-O	DIN/EN 1.4021 (AISI 420)
-	LC50A00-4T	Motor casing and pump in cast iron	Cast iron	DA(2)	Cast iron	Dry	PKK-MGA-O	DIN/EN 1.4021 (AISI 420)
-	LC50A02-4T	Motor casing and pump in cast iron	Cast iron	DA(2)	Cast iron	Dry	PKK-MGA-O	DIN/EN 1.4021 (AISI 420)
-	LC50A05-4T	Motor casing and pump in cast iron	Cast iron	DA(2)	Cast iron	Dry	PKK-MGA-O	DIN/EN 1.4021 (AISI 420)
-	LC50A10-4T	Motor casing and pump in cast iron	Cast iron	DA(2)	Cast iron	Dry	PKK-MGA-O	DIN/EN 1.4021 (AISI 420)

Impeller type code:

SC: Single channel closed  
SA: Single channel open  
DC: Double channel closed  
DA: Double channel open

Mechanical seal code:

P: Pump side M: Motor Side  
A: Ceramic G: Carbon graphite  
K: Silicon carbide R: Seal Ring  
O: In oil chamber

Horizontal delivery

(1)= Flanged D.50 not DIN/EN in line + 2" bend  
(2)= Optional on demand with over price with cutting  
diffuser and hardened cast iron impeller

rtc\_LC-Channel\_Valco\_dirty\_waters\_submersible\_pumps-Liqua

01/07/2019

I-36063 Marostica (Vicenza) Italy  
www.valco.eu

**LC-CHANNEL Range VALCO BRAND Sewage Wastewater  
Submersible Electric Pumps Liqua™**

Pump and motor construction data  
with limits of use and operating conditions

Types		DNm	Poles	Ø max solids in susp. Free passage (mm)	max immersion depth (m)	Cable length (m) H07RN-F	Weight in Kg	Electric pump dimensions in mm LxWxH
1 PH 230V 50Hz	3 PH 400V 50Hz							
LC1000	-	2"	2	40	20	10	30	344x213x463
-	LC1000T	2"	2	40	20	10	30	344x213x463
LC1010	-	2"	2	50	5	10	12,5	214x180x369
-	LC1010T	2"	2	50	5	10	12,5	214x180x369
LC1015	-	2"	2	50	5	10	14	232x150x367
-	LC1015T	2"	2	50	5	10	14	232x150x367
LC1505	-	2"	2	40	20	10	30	344x213x463
-	LC1505T	2"	2	40	20	10	30	344x213x463
LC1510	-	65	2	50	20	10	42	308x200x551
-	LC1510T	65	2	50	20	10	42,5	308x200x551
LC1525	-	2"	2	50	5	10	14,5	214x180x409
-	LC1525T	2"	2	50	5	10	14,5	214x180x409
LC1530	-	2"	2	50	5	10	16	232x150x407
-	LC1530T	2"	2	50	5	10	16	232x150x407
LC2005	-	65	2	50	20	10	43,5	308x200x551
-	LC2005T	65	2	50	20	10	43,5	308x200x551
LC2015	-	2"	2	50	20	10	34	360x235x490
-	LC2015T	2"	2	50	20	10	34	360x235x490
-	LC2025T	2"	2	50	5	10	16	232x150x407
-	LC2030T	2"	2	50	5	10	14,5	214x180x409
-	LC2040-4T	80	4	75	20	10	64	394x310x650
-	LC2045-4T	100	4	85	20	10	66	394x310x650
-	LC2050-4T	100	4	60	20	10	68,5	395x317x660
-	LC2057-4T	80	4	NA	20	10	73	400x370x621
-	LC3000T	65	2	50	20	10	43,5	308x200x551
-	LC3010T	65	2	40	20	10	43	290x190x520
-	LC3015T	80	2	50	5	10	53	390x128x647
-	LC3020T	65	2	50	20	10	50	349x290x555
-	LC3022T	80	2	50	5	10	28	390x279x285
-	LC3035-4T	80	4	75	20	10	65	394x310x650
-	LC3040-4T	80	4	75	20	10	73	364x315x604
-	LC3050-4T	100	4	60	20	10	75	395x317x660
-	LC3052-4T	100	4	NA	20	10	72	425x370x632
-	LC3057-4T	80	4	NA	20	10	77	400x370x621
-	LC3068-4T	80	4	NA	20	10	77	400x370x621
-	LC3069-4T	100	4	NA	20	10	72	425x370x632
-	LC4005T	80	2	50	5	10	54	390x128x647
-	LC4007T	80	2	50	5	10	33	390x279x285
-	LC4009T	80	2	50	20	10	70	370x620x645
-	LC4015T	80	2	45	20	10	64	305x227x595
-	LC4020-4T	80	4	75	20	10	68	394x310x650
-	LC4022-4T	80	4	NA	20	10	80	400x370x621
-	LC4035-4T	100	4	60	20	10	77	395x317x660
-	LC4045-4T	80	4	75	20	10	86	412x315x668
-	LC4050-4T	100	4	85	20	10	70	394x310x650
-	LC4052-4T	100	4	NA	20	10	78	425x370x632
-	LC4057-4T	80	4	NA	20	10	80	400x370x621
-	LC550CT	80	2	50	20	10	72,5	370x620x645
-	LC5517-4T	80	4	NA	20	10	88	400x370x648
-	LC5520-4T	100	4	90	20	10	107	456x371x745
-	LC5522-4T	100	4	NA	20	10	86	425x370x659
-	LC6000T	80	2	50	5	10	55	390x128x647
-	LC7506-4T	80	4	NA	20	10	115	400x370x716
-	LC7508-4T	100	4	NA	20	10	105	425x370x727
-	LC7510-4T	100	4	90	20	10	108,5	456x371x745
-	LC7512-4T	100	4	NA	20	10	105	425x370x727
-	LC7513-4T	80	4	NA	20	10	115	400x370x716
-	LC80A0-4T	150	4	NA	20	10	150	565x550x803
-	LC9000-4T	150	4	100	20	10	156	532x467x1050
-	LC10A00T	80	2	50	20	10	94	412x240x725
-	LC10A18-4T	80	4	NA	20	10	152	480x410x745
-	LC10A21-4T	80	4	NA	20	10	152	480x410x745
-	LC10A27-4T	100	4	NA	20	10	165	479x408x755
-	LC10A42-4T	150	4	NA	20	10	180	565x550x865
-	LC12A05-4T	150	4	100	20	10	163	532x467x1050
-	LC12B01-4T	80	4	NA	20	10	160	480x410x745
-	LC12B02-4T	100	4	NA	20	10	174	479x408x755
-	LC12B03-4T	80	4	NA	20	10	160	480x410x745
-	LC12B04-4T	100	4	NA	20	10	174	479x408x755
-	LC12B06-4T	150	4	NA	20	10	183	565x550x865
-	LC15A15-4T	150	4	100	20	10	174	532x467x1050
-	LC15A1A-4T	80	4	NA	20	10	165	480x410x745
-	LC15A16-4T	80	4	NA	20	10	165	480x410x745
-	LC15A17-4T	100	4	NA	20	10	180	479x408x755
-	LC15A27-4T	150	4	NA	20	10	185	565x550x865
-	LC18A05-4T	100	4	NA	20	10	180	479x408x755
-	LC20A01-4T	80	4	NA	20	10	205	480x410x931
-	LC20A11-4T	150	4	NA	20	10	230	565x550x1022
-	LC20A12-4T	150	4	NA	20	10	230	565x550x1022
-	LC25A12-4T	150	4	NA	20	10	250	565x550x1022
-	LC25A13-4T	150	4	NA	20	10	250	565x550x1022
-	LC30A07-4T	150	4	NA	20	10	375	565x550x1072
-	LC30A09-4T	150	4	NA	20	10	535	760x720x1300
-	LC40AAA-4T	150	4	NA	20	10	535	760x720x1300
-	LC40AAB-4T	150	4	NA	20	10	535	760x720x1300
-	LC40AAC-4T	150	4	NA	20	10	535	760x720x1300
-	LC50A00-4T	150	4	NA	20	10	545	760x720x1300
-	LC50A02-4T	150	4	NA	20	10	545	760x720x1300
-	LC50A05-4T	150	4	NA	20	10	545	760x720x1300
-	LC50A10-4T	150	4	NA	20	10	545	760x720x1300

NA= Not applicable: self cleaner diffuser

I-36063 Marostica (Vicenza) Italy  
www.valco.eu

**LC-CHANNEL Range VALCO BRAND Sewage Wastewater  
Submersible Electric Pumps Liqua™**

Pump and motor construction data  
with limits of use and operating conditions

Types		Coupling device type
1 PH 230V 50Hz	3 PH 400V 50Hz	
LC1000	-	TH IN LINE
-	LC1000T	TH IN LINE
LC1010	-	TH IN LINE
-	LC1010T	TH IN LINE
LC1015	-	NOT PROVIDED
-	LC1015T	NOT PROVIDED
LC1505	-	TH IN LINE
-	LC1505T	TH IN LINE
LC1510	-	FL BEND
-	LC1510T	FL BEND
LC1525	-	TH IN LINE
-	LC1525T	TH IN LINE
LC1530	-	NOT PROVIDED
-	LC1530T	NOT PROVIDED
LC2005	-	FL BEND
-	LC2005T	FL BEND
LC2015	-	TH IN LINE
-	LC2015T	TH IN LINE
-	LC2025T	NOT PROVIDED
-	LC2030T	TH IN LINE
-	LC2040-4T	FL BEND
-	LC2045-4T	FL BEND
-	LC2050-4T	FL BEND
-	LC2057-4T	FL BEND
-	LC3000T	FL BEND
-	LC3010T	FL BEND
-	LC3015T	TH BEND
-	LC3020T	FL BEND
-	LC3022T	TH BEND
-	LC3035-4T	FL BEND
-	LC3040-4T	FL BEND
-	LC3050-4T	FL BEND
-	LC3052-4T	FL BEND
-	LC3057-4T	FL BEND
-	LC3068-4T	FL BEND
-	LC3069-4T	FL BEND
-	LC4005T	TH BEND
-	LC4007T	TH BEND
-	LC4009T	FL BEND
-	LC4015T	FL BEND
-	LC4020-4T	FL BEND
-	LC4022-4T	FL BEND
-	LC4035-4T	FL BEND
-	LC4045-4T	FL BEND
-	LC4050-4T	FL BEND
-	LC4052-4T	FL BEND
-	LC4057-4T	FL BEND
-	LC550CT	FL BEND
-	LC5517-4T	FL BEND
-	LC5520-4T	FL BEND
-	LC5522-4T	FL BEND
-	LC6000T	TH BEND
-	LC7506-4T	FL BEND
-	LC7508-4T	FL BEND
-	LC7510-4T	FL BEND
-	LC7512-4T	FL BEND
-	LC7513-4T	FL BEND
-	LC80A0-4T	FL BEND
-	LC9000-4T	FL BEND
-	LC10A00T	FL BEND
-	LC10A18-4T	FL BEND
-	LC10A21-4T	FL BEND
-	LC10A27-4T	FL BEND
-	LC10A42-4T	FL BEND
-	LC12A05-4T	FL BEND
-	LC12B01-4T	FL BEND
-	LC12B02-4T	FL BEND
-	LC12B03-4T	FL BEND
-	LC12B04-4T	FL BEND
-	LC12B06-4T	FL BEND
-	LC15A15-4T	FL BEND
-	LC15A1A-4T	FL BEND
-	LC15A16-4T	FL BEND
-	LC15A17-4T	FL BEND
-	LC15A27-4T	FL BEND
-	LC18A05-4T	FL BEND
-	LC20A01-4T	FL BEND
-	LC20A11-4T	FL BEND
-	LC20A12-4T	FL BEND
-	LC25A12-4T	FL BEND
-	LC25A13-4T	FL BEND
-	LC30A07-4T	FL BEND
-	LC30A09-4T	FL BEND
-	LC40AAA-4T	FL BEND
-	LC40AAB-4T	FL BEND
-	LC40AAC-4T	FL BEND
-	LC50A00-4T	FL BEND
-	LC50A02-4T	FL BEND
-	LC50A05-4T	FL BEND
-	LC50A10-4T	FL BEND



FL BEND: Autocoupling device flanged with 90° bend  
 TH IN LINE: Autocoupling device threaded in line  
 TH BEND: Autocoupling device threaded with 90° bend

All the coupling device are made in cast iron

Supplied as standard: Coupling foot, slide coupling flange and screws, upper support

Optional on demand with overprice: counter flanges for coupling devices, chains, gaskets, anchors, screws.

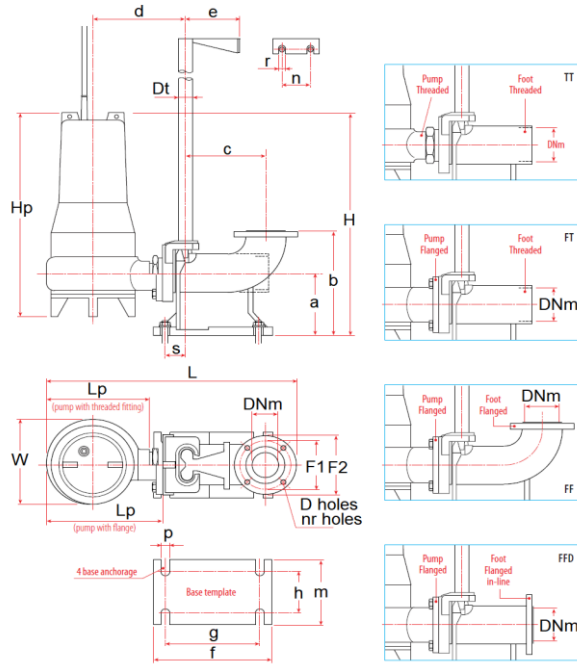


I-36063 Marostica (Vicenza) Italy  
www.valco.eu

**LC-CHANNEL Range VALCO BRAND Sewage Wastewater Submersible  
Electric Pumps Liqua™**

Pump and motor construction data  
with limits of use and operating conditions

Not in scale



**Legenda**

AC = TYPES OF AUTOCLIPING DEVICES

TT= Pump threaded - Foot threaded

FF= Pump flanged - Foot flanged

FT= Pump flanged - Foot threaded

nd=not available

na=non applicable



FL BEND: Autocoupling device flanged with 90° bend



TH IN LINE: Autocoupling device threaded in line



## Cutter Sewage Wastewater Submersible Electric Pumps with open cutting impeller with diffusor and blade device for liquids containing fibres. - Liqua™

### Applications

Suitable for domestic, residential, industrial, agricultural and civil drainage and wastewater sewage uses: dewatering; sump drainage, effluent and sewage; ponds, construction, mines, reclamation, swimming pools, basements and flooded areas, stormwaters, irrigation, stock breeding, food beverage, for waste, sewage and washwater for single and several households and public buildings, for building sites also partially dry, for continuous and heavy duties for most types of fluids also with bodies in suspension in water treatment plants, brackish waters, dirty waters, sludge, industrial processes, etc.



I-36063 Marostica (Vicenza) Italy  
www.valco.eu

**LT-CUTTER Range VALCO BRAND Cutter Sewage Wastewater  
Submersible Electric Pumps Liqua™**

Pump and motor construction data  
with limits of use and operating conditions

Types		HP	kW	Q= Performance at 2900 rpm																								In (A) 1x230V	In (A) 3x400V
1 PH 230V 50Hz	3 PH 400V 50Hz			0	1,8	3	3,6	5,4	6	7,2	9	10,8	12	12,6	14,4	16,2	18	20	21	23	25	28							
LT-1200	-	1,2	0,9	18,8	17,2	16,0	15,4	13,6	13,0	11,7	9,7	7,6	6,2														5,8	-	
-	LT-1200T	1,2	0,9	18,8	17,2	16,0	15,4	13,6	13,0	11,7	9,7	7,6	6,2														-	2,5	
LT-1205	-	1,2	0,9	20,0	17,8	15,7	14,8	13,1	12,5	11,1	9,0	7,0	5,7	5,0													7,3	-	
-	LT-1205T	1,2	0,9	20,0	17,8	15,7	14,8	13,1	12,5	11,1	9,0	7,0	5,7	5,0													-	2,5	
LT-1210H	-	1,2	0,9	18,5	17,4	16,7	16,2	14,0	13,3	11,6	8,5	1,3															4,8	-	
-	LT-1210HT	1,2	0,9	18,5	17,4	16,7	16,2	14,0	13,3	11,6	8,5	1,3															-	1,8	
LT-1500	-	1,5	1,1	21,0	19,0	17,8	17,3	15,8	15,2	14,0	12,0	10,5	9,4	9,0	7,8	5,8	2,0										7,0	-	
-	LT-1500T	1,5	1,1	21,0	19,0	17,8	17,3	15,8	15,2	14,0	12,0	10,5	9,4	9,0	7,8	5,8	2,0										-	3,0	
LT-1510	-	1,5	1,1	19,4	18,9	18,5	18,3	17,5	17,3	16,8	16,0	14,9	14,2	13,8	12,7	11,3	9,9										11,5	-	
-	LT-1510T	1,5	1,1	19,4	18,9	18,5	18,3	17,5	17,3	16,8	16,0	14,9	14,2	13,8	12,7	11,3	9,9										-	4,4	
LT-1515	-	1,5	1,1	20,0	18,3	17,1	16,5	14,7	14,1	12,8	10,8	8,9	7,7	6,9													9,1	-	
-	LT-1515T	1,5	1,1	20,0	18,3	17,1	16,5	14,7	14,1	12,8	10,8	8,9	7,7	6,9													-	3,0	
LT-1525	-	1,5	1,1	17,0	16,0	15,0	14,2	11,3	10,0	6,8	2,0																7,1	-	
-	LT-1525T	1,5	1,1	17,0	16,0	15,0	14,2	11,3	10,0	6,8	2,0																-	3,0	
LT-2005	-	2	1,5	22,1	21,6	21,3	21,1	20,5	20,3	19,8	19,1	18,3	17,7	17,4	16,3	15,0	13,4										13,6	-	
-	LT-2005T	2	1,5	22,1	21,6	21,3	21,1	20,5	20,3	19,8	19,1	18,3	17,7	17,4	16,3	15,0	13,4										-	5,1	
LT-2010	-	2	1,5	21,0	19,7	19,0	18,6	17,4	17,0	16,2	15,0	13,9	13,0	12,4	10,5	8,4	6,0	3,5									13,0	-	
-	LT-2010T	2	1,5	21,0	19,7	19,0	18,6	17,4	17,0	16,2	15,0	13,9	13,0	12,4	10,5	8,4	6,0	3,5									-	4,5	
LT-2505	-	2,5	1,8	27,0	24,4	22,8	22,1	20,5	19,9	19,0	17,8	16,2	15,1	14,6	12,7	10,0	6,0										11,0	-	
-	LT-2505T	2,5	1,8	27,0	24,4	22,8	22,1	20,5	19,9	19,0	17,8	16,2	15,1	14,6	12,7	10,0	6,0										-	4,0	
LT-2515	-	2,5	1,8	25,0	23,1	22,1	21,5	20,1	19,7	18,9	17,8	16,8	16,2	15,9	15,0	14,0	13,0	11,7	11,1	9,5							13,3	-	
-	LT-2515T	2,5	1,8	25,0	23,1	22,1	21,5	20,1	19,7	18,9	17,8	16,8	16,2	15,9	15,0	14,0	13,0	11,7	11,1	9,5							-	4,0	
-	LT-3000T	3	2,2	34,0	31,7	30,3	29,5	27,5	26,9	25,7	23,8	22,0	20,7	20,0	17,6	15,0	10,0										-	5,0	
-	LT-3000T	3	2,2	26,1	25,6	25,2	25,0	24,5	24,3	23,9	23,3	22,5	22,0	21,7	20,6	19,5	18,2										-	5,8	
-	LT-3010T	3	2,2	23,8	22,3	21,5	21,1	20,1	19,8	19,1	18,1	17,0	16,1	15,6	13,8	11,6	8,9	5,5									-	6,0	
-	LT-3300T	3,3	2,5	29,0	27,3	26,3	25,8	24,5	24,1	23,4	22,4	21,4	20,8	20,5	19,5	18,5	17,5	16,2	15,4	13,8	11,9	8,33				-	6,3		
-	LT-4000T	4	3	38,8	36,1	34,6	33,9	32,3	31,8	30,9	29,8	28,7	27,9	27,5	26,1	24,3	22,1	18,9	17,0	12,3							-	7,0	
-	LT-4005T	4	3	33,5	32,5	31,8	31,5	30,4	30,1	29,5	28,5	27,2	26,4	26,0	24,8	23,3	21,6										-	7,5	
-	LT-5500T	5,5	4	43,0	40,8	39,6	39,0	37,4	37,0	36,0	34,8	33,5	32,6	32,2	30,7	28,9	26,9	24,1	22,5	18,8							-	9,1	
-	LT-5505T	5,5	4	38,6	37,6	36,9	36,6	35,6	35,3	34,7	33,9	32,8	32,1	31,7	30,5	29,2	27,6	25,0									-	9,2	
-	LT-7500T	7,5	5,5	47,8	46,9	46,2	45,9	44,9	44,5	43,8	42,7	41,6	40,8	40,4	39,3	38,1	36,1	30,6	26,7								-	13,9	
-	LT-10A00T	10	7,5	54,6	53,5	52,7	52,4	51,4	51,0	50,3	49,2	47,9	47,1	46,7	45,6	44,6	42,7	37,8	34,0								-	15,5	

\* Reduction in speed will result in a fall of performance. • DO NOT RUN PUMP DRY! • Tolerances according to ISO 9906 Grade 3B.

**OPERATING CONDITIONS (LIMITS OF USE)**

Maximum temperature of pumped liquid °C	0 +35
pH of pumped liquid	6 - 10
Density of pumped liquid with $\gamma$ =water specific gravity kg/dm <sup>3</sup>	1
Free passage Ø max mm	Not applicable
Presence of solids in suspension	Yes
Installation type	Submerged

**MOTOR**

Asynchronous Electric motor	
Insulation class	F
Degree of protection IP	68
Service	Continuous duty
Maximum tolerance (fluctuation) from the nominal voltage	±6%
Starts per hour max	30

3phase version the overload motor protection must be provided by the user (we recommend the use of a control box)

**1phase version**

Type	OVERLOAD PROTECTION	CAPACITOR	FLOAT SWITCH
LT-1200	OPT EXT BOX	OPT EXT BOX	OPT EXT BOX
LT-1205	EXT BOX	EXT BOX + ST C	INCLUDED
LT-1210H	INT	INT	INCLUDED
LT-1500	INT	EXT BOX	INCLUDED
LT-1510	OPT EXT BOX	OPT EXT BOX (1)	OPT EXT BOX
LT-1515	EXT BOX	EXT BOX + ST C	EXT BOX
LT-1525	INT	INT	INCLUDED
LT-2005	OPT EXT BOX	OPT EXT BOX (1)	OPT EXT BOX
LT-2010	EXT BOX	EXT BOX	OPT EXT BOX
LT-2505	INT	EXT BOX	INCLUDED
LT-2515	OPT EXT BOX	OPT EXT BOX (1)	OPT EXT BOX

INT: Internal (built in)  
EXT BOX: In external box  
EXT BOX + ST C: In external box with start capacitor  
OPT EXT BOX: Optional on demand with overprice in external box  
(1): Optional on demand with overprice with start capacitor



I-36063 Marostica (Vicenza) Italy  
www.valco.eu

**LT-CUTTER Range VALCO BRAND Cutter Sewage Wastewater  
Submersible Electric Pumps Liqua™**

Pump and motor construction data  
with limits of use and operating conditions

Types		Pump material	Motor chamber	Mechanical seal code	Shaft material (pump side) stainless steel	Type of delivery HOR: horizontal VER: vertical	Coupling device type
1 PH 230V 50Hz	3 PH 400V 50Hz						
LT-1200	-	Motor casing and pump in cast iron	Dry	PKA-MR-O	DIN/EN 1.4021 (AISI 420)	HOR	TH IN LINE
-	LT-1200T	Motor casing and pump in cast iron	Dry	PKA-MR-O	DIN/EN 1.4021 (AISI 420)	HOR	TH IN LINE
LT-1205	-	Motor casing and pump in cast iron	In oil	PKK-MKA-O	DIN/EN 1.4021 (AISI 420)	HOR	TH IN LINE
-	LT-1205T	Motor casing and pump in cast iron	In oil	PKK-MKA-O	DIN/EN 1.4021 (AISI 420)	HOR	TH IN LINE
LT-1210H	-	Motor casing in stainless st., pump in cast iron	Dry	PKK-MR-O	DIN/EN 1.4005 (AISI 416)	HOR	TH IN LINE
-	LT-1210HT	Motor casing in stainless st., pump in cast iron	Dry	PKK-MR-O	DIN/EN 1.4005 (AISI 416)	HOR	TH IN LINE
LT-1500	-	Motor casing and pump in cast iron	In oil	PKK	DIN/EN 1.4057 (AISI 431)	HOR/VER	TH IN LINE
-	LT-1500T	Motor casing and pump in cast iron	In oil	PKK	DIN/EN 1.4057 (AISI 431)	HOR/VER	TH IN LINE
LT-1510	-	Motor casing and pump in cast iron	In oil	PKK-MGA-O	DIN/EN 1.4301 (AISI 304)	HOR	TH IN LINE
-	LT-1510T	Motor casing and pump in cast iron	In oil	PKK-MGA-O	DIN/EN 1.4301 (AISI 304)	HOR	TH IN LINE
LT-1515	-	Motor casing and pump in cast iron	In oil	PKK-MKA-O	DIN/EN 1.4021 (AISI 420)	HOR	TH IN LINE
-	LT-1515T	Motor casing and pump in cast iron	In oil	PKK-MKA-O	DIN/EN 1.4021 (AISI 420)	HOR	TH IN LINE
LT-1525	-	Motor casing in stainless st., pump in cast iron	In oil	PKA-MR-O	DIN/EN 1.4401 (AISI 316)	HOR	TH IN LINE
-	LT-1525T	Motor casing in stainless st., pump in cast iron	In oil	PKA-MR-O	DIN/EN 1.4401 (AISI 316)	HOR	TH IN LINE
LT-2005	-	Motor casing and pump in cast iron	In oil	PKK-MGA-O	DIN/EN 1.4301 (AISI 304)	HOR	TH IN LINE
-	LT-2005T	Motor casing and pump in cast iron	In oil	PKK-MGA-O	DIN/EN 1.4301 (AISI 304)	HOR	TH IN LINE
LT-2010	-	Motor casing in stainless st., pump in cast iron	In oil	PKA-MGA-O	DIN/EN 1.4401 (AISI 316)	HOR	TH IN LINE
-	LT-2010T	Motor casing in stainless st., pump in cast iron	In oil	PKA-MGA-O	DIN/EN 1.4401 (AISI 316)	HOR	TH IN LINE
LT-2505	-	Motor casing and pump in cast iron	In oil	PKK-MGA-O	DIN/EN 1.4057 (AISI 431)	HOR/VER	TH IN LINE
-	LT-2505T	Motor casing and pump in cast iron	In oil	PKK-MGA-O	DIN/EN 1.4057 (AISI 431)	HOR/VER	TH IN LINE
LT-2515	-	Motor casing and pump in cast iron	Dry	PKK-MGA-O	DIN/EN 1.4021 (AISI 420)	HOR	TH IN LINE
-	LT-2515T	Motor casing and pump in cast iron	Dry	PKK-MGA-O	DIN/EN 1.4021 (AISI 420)	HOR	TH IN LINE
LT-3000T	-	Motor casing and pump in cast iron	In oil	PKK-MGA-O	DIN/EN 1.4057 (AISI 431)	HOR/VER	TH IN LINE
-	LT-3005T	Motor casing and pump in cast iron	In oil	PKK-MGA-O	DIN/EN 1.4301 (AISI 304)	HOR	TH IN LINE
LT-3010T	-	Motor casing in stainless st., pump in cast iron	In oil	PKA-MGA-O	DIN/EN 1.4401 (AISI 316)	HOR	TH IN LINE
-	LT-3300T	Motor casing and pump in cast iron	Dry	PKK-MGA-O	DIN/EN 1.4021 (AISI 420)	HOR	TH IN LINE
-	LT-4000T	Motor casing and pump in cast iron	Dry	PKK-MGA-O	DIN/EN 1.4021 (AISI 420)	HOR	TH IN LINE
-	LT-4005T	Motor casing and pump in cast iron	In oil	PKK-MGA-O	DIN/EN 1.4301 (AISI 304)	HOR	FL BEND
-	LT-5500T	Motor casing and pump in cast iron	Dry	PKK-MGA-O	DIN/EN 1.4021 (AISI 420)	HOR	TH IN LINE
-	LT-5505T	Motor casing and pump in cast iron	In oil	PKK-MGA-O	DIN/EN 1.4301 (AISI 304)	HOR	FL BEND
-	LT-7500T	Motor casing and pump in cast iron	In oil	PKK-MGA-O	DIN/EN 1.4301 (AISI 304)	HOR	FL BEND
-	LT-10A00T	Motor casing and pump in cast iron	In oil	PKK-MGA-O	DIN/EN 1.4301 (AISI 304)	HOR	FL BEND

Blade device in hardened stainless steel  
Impeller in cast iron

TH IN LINE: Autocoupling device threaded in line  
FL BEND: Autocoupling device flanged with 90° bend

Mechanical seal code:

- P: Pump side
- A: Ceramic
- K: Silicon carbide
- O: In oil chamber
- M: Motor Side
- G: Carbon graphite
- R: Seal Ring



Types		DNm	Pole	Ø max solids in susp. Free passage (mm)	max immersion depth (m)	Cable length (m) H07RN-F	Weight in Kg	Electric pump dimensions in mm LxWxH
1 PH 230V 50Hz	3 PH 400V 50Hz							
LT-1200	-	2" M	2	Not applicable	20	10	25	232x215x375
-	LT-1200T	2" M	2	Not applicable	20	10	25	232x215x375
LT-1205	-	32	2	Not applicable	20	10	23	205x185x385
-	LT-1205T	32	2	Not applicable	20	10	23	205x185x385
LT-1210H	-	1" 1/2	2	Not applicable	5	10	18	230x166x438
-	LT-1210HT	1" 1/2	2	Not applicable	5	10	18	230x166x438
LT-1500	-	50 not DIN/2"	2	Not applicable	20	10	34	231x185x477
-	LT-1500T	50 not DIN/2"	2	Not applicable	20	10	34	231x185x477
LT-1510	-	2"	2	Not applicable	20	10	39	291x234x513
-	LT-1510T	2"	2	Not applicable	20	10	39	291x234x513
LT-1515	-	32	2	Not applicable	20	10	25	205x185x385
-	LT-1515T	32	2	Not applicable	20	10	25	205x185x385
LT-1525	-	1" 1/2	2	Not applicable	5	10	21	260x225x356
-	LT-1525T	1" 1/2	2	Not applicable	5	10	21	260x225x356
LT-2005	-	2"	2	Not applicable	20	10	41	291x234x513
-	LT-2005T	2"	2	Not applicable	20	10	41	291x234x513
LT-2010	-	2"	2	Not applicable	5	10	28,5	260x225x425
-	LT-2010T	2"	2	Not applicable	5	10	28,5	260x225x425
LT-2505	-	50 not DIN/2"	2	Not applicable	20	10	40	276x220x550
-	LT-2505T	50 not DIN/2"	2	Not applicable	20	10	40	276x220x550
LT-2515	-	1" 1/2	2	Not applicable	20	10	42	295x250x453
-	LT-2515T	1" 1/2	2	Not applicable	20	10	42	295x250x453
LT-3000T	-	50 not DIN/2"	2	Not applicable	20	10	42	276x220x550
-	LT-3005T	2"	2	Not applicable	20	10	39,3	291x234x513
LT-3010T	-	2"	2	Not applicable	5	10	29	260x225x425
-	LT-3300T	1" 1/2	2	Not applicable	20	10	42	295x250x453
LT-4000T	-	1" 1/2	2	Not applicable	20	10	50	294x245x467
-	LT-4005T	50	2	Not applicable	20	10	63	350x237x595
LT-5500T	-	1" 1/2	2	Not applicable	20	10	56	294x245x467
-	LT-5505T	50	2	Not applicable	20	10	65	350x237x595
LT-7500T	-	65	2	Not applicable	20	10	92	430x279x680
-	LT-10A00T	65	2	Not applicable	20	10	95	430x279x680

I-36063 Marostica (Vicenza) Italy  
www.valco.eu

**Liqua™ Range VALCO BRAND - LT-CUTTER - Cutter Sewage  
Wastewater Submersible Electric Pumps**

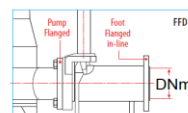
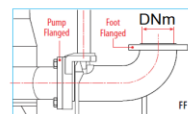
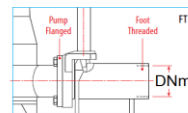
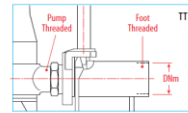
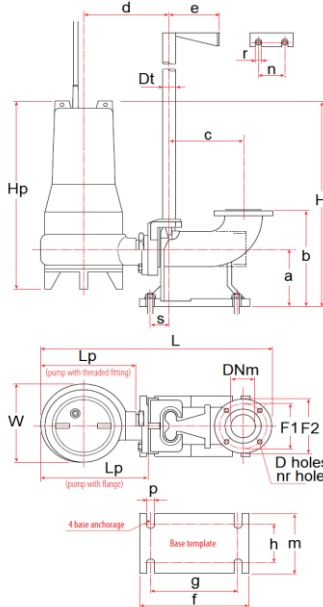
Pump and motor construction data  
with limits of use and operating conditions

Types		PUMP WITH COUPLING DEVICE DIMENSIONS IN mm																						
1 PH 230V 50Hz	3 PH 400V 50Hz	L	W	H	a	b	c	d	e	f	g	h	m	n	p	r	s	DNm	Dt	F1	F2	n.hol	Dhol	AC
LT-1200	-	338	185	410	110	na	63	185	55	110	60	100	130	nd	13	nd	nd	2"	3/4"	na	na	na	na	TT
-	LT-1200T	338	185	410	110	na	63	185	55	110	60	100	130	nd	13	nd	nd	2"	3/4"	na	na	na	na	TT
LT-1205	-	nd	185	437	130	na	nd	nd	59	nd	85	94	nd	nd	14	nd	nd	2"	3/4"	na	na	na	na	TT
-	LT-1205T	nd	185	437	130	na	nd	nd	59	nd	85	94	nd	nd	14	nd	nd	2"	3/4"	na	na	na	na	TT
LT-1210H	-	367	166	485	133	na	83	194	86	na	110	100	130	50	15	10	nd	2"	3/4"	na	na	na	na	TT
-	LT-1210HT	367	166	485	133	na	83	194	86	na	110	100	130	50	15	10	nd	2"	3/4"	na	na	na	na	TT
LT-1500	-	370	185	510	133	na	83	193	86	na	110	100	130	50	15	10	nd	2"	3/4"	na	na	na	na	FT
-	LT-1500T	370	185	510	133	na	83	193	86	na	110	100	130	50	15	10	nd	2"	3/4"	na	na	na	na	FT
LT-1510	-	-	-	-	-	-	-	-	-	-	-	-	-	-	-	-	-	-	-	-	-	-	-	WF
-	LT-1510T	-	-	-	-	-	-	-	-	-	-	-	-	-	-	-	-	-	-	-	-	-	-	WF
LT-1515	-	nd	185	437	130	na	nd	nd	59	nd	85	94	nd	nd	14	nd	nd	2"	3/4"	na	na	na	na	TT
-	LT-1515T	nd	185	437	130	na	nd	nd	59	nd	85	94	nd	nd	14	nd	nd	2"	3/4"	na	na	na	na	TT
LT-1525	-	388	225	400	103	na	nd	nd	nd	nd	nd	nd	nd	nd	nd	nd	nd	2"	3/4"	na	na	na	na	TT
-	LT-1525T	388	225	400	103	na	nd	nd	nd	nd	nd	nd	nd	nd	nd	nd	nd	2"	3/4"	na	na	na	na	TT
LT-2005	-	-	-	-	-	-	-	-	-	-	-	-	-	-	-	-	-	-	-	-	-	-	-	WF
-	LT-2005T	-	-	-	-	-	-	-	-	-	-	-	-	-	-	-	-	-	-	-	-	-	-	WF
LT-2010	-	433	225	464	132	na	nd	nd	nd	nd	nd	nd	nd	nd	nd	nd	nd	2"	3/4"	na	na	na	na	TT
-	LT-2010T	433	225	464	132	na	nd	nd	nd	nd	nd	nd	nd	nd	nd	nd	nd	2"	3/4"	na	na	na	na	TT
LT-2505	-	414	220	574	133	na	83	215	85	na	110	100	130	50	15	10	nd	2"	3/4"	na	na	na	na	FT
-	LT-2505T	414	220	574	133	na	83	215	85	na	110	100	130	50	15	10	nd	2"	3/4"	na	na	na	na	FT
LT-2515	-	393	250	498	110	na	63	210	55	110	60	100	130	nd	13	nd	nd	2"	3/4"	na	na	na	na	TT
-	LT-2515T	393	250	498	110	na	63	210	55	110	60	100	130	nd	13	nd	nd	2"	3/4"	na	na	na	na	TT
LT-3000T	-	414	220	574	133	na	83	215	85	na	110	100	130	50	15	10	nd	2"	3/4"	na	na	na	na	FT
-	LT-3005T	-	-	-	-	-	-	-	-	-	-	-	-	-	-	-	-	-	-	-	-	-	-	WF
LT-3010T	-	433	225	464	132	na	nd	nd	nd	nd	nd	nd	nd	nd	nd	nd	nd	2"	3/4"	na	na	na	na	TT
-	LT-3300T	393	250	498	110	na	63	210	55	110	60	100	130	nd	13	nd	nd	2"	3/4"	na	na	na	na	TT
LT-4000T	-	434	245	512	110	na	63	230	55	110	60	100	130	nd	13	nd	nd	2"	3/4"	na	na	na	na	TT
-	LT-4005T	654	237	614	130	260	145	300	55	nd	200	100	nd	95	18	10	nd	50	1 1/4"	125	165	4	18	FF
LT-5500T	-	434	245	512	110	na	63	230	55	110	60	100	130	nd	13	nd	nd	2"	3/4"	na	na	na	na	TT
-	LT-5505T	654	237	614	130	260	145	300	55	nd	200	100	nd	95	18	10	nd	50	1 1/4"	125	165	4	18	FF
LT-7500T	-	724	279	656	130	260	145	331	55	nd	200	100	nd	95	18	10	nd	65	1 1/4"	145	185	4	18	FF
-	LT-10A00T	724	279	656	130	260	145	331	55	nd	250	100	nd	95	18	10	nd	65	1 1/4"	145	185	4	18	FF

**Legenda**

- AC = TYPES OF AUTOCOUPLING DEVICES
- TT= Pump threaded - Foot threaded
- FF= Pump flanged - Foot flanged
- FT= Pump flanged - Foot threaded
- WF= Without foot
- nd=not available
- na=non applicable

Not in scale



FL BEND: Autocoupling device flanged with 90° bend



TH IN LINE: Autocoupling device threaded in line